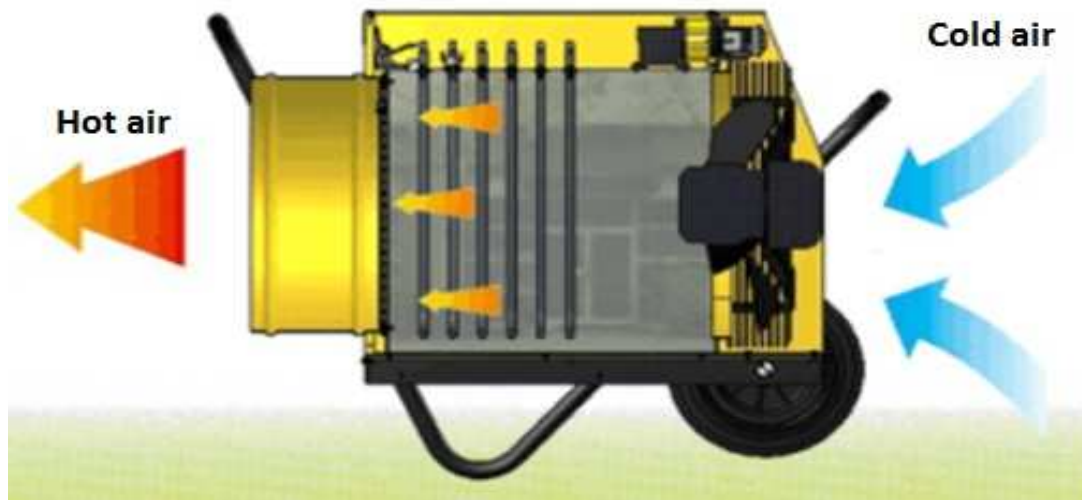


ELECTRIC AIR HEATER

B18 EPR



FUNCTIONING PRINCIPLES



The device works on the principle of forced convection. The air flow is forced by a fan. Cold air is sucked from the back of the unit. The resistances heat the air. The heated air is expelled from the front of the heater. The unit is equipped with thermal protection with reset and a cooling thermostat. Switch positions: ventilation, heating with half power, heating at full power.

TECHNICAL DATA

Max capacity	kW	18	Power supply	V	400V	
	Kcal/h	15487		Frequency	Hz	50
	Btu/h	61418			Rated current	A
Power source	Electrical energy					
Net weight	kg	27,5				
Gross weight	kg	29,3				
Noise level	dB(A)	73				
Air displacement	m ³ /h	1700				

PACKAGING

Packaging dimensions	mm	600x400x460
Device dimensions	mm	700x490x530
Pieces for Euro-pallet	n°	16
Pieces per truck 80m ³	n°	528

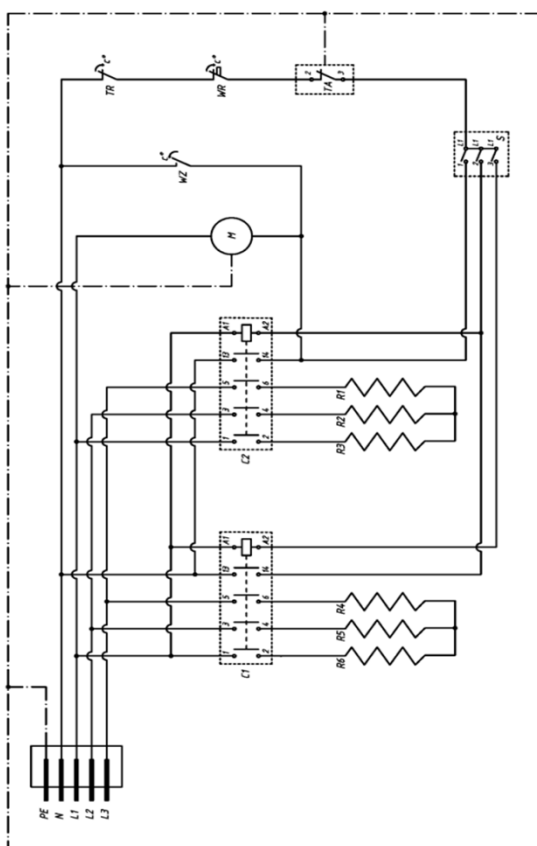
COMPONENTS

Heating elements	3000W
Temperature limiter	With capillary
Fan	∅ 300mm
Thermal protection	80°C
Cooling thermostat	60°C
Thermostat connector	TH5
Contactora	4kW
Motor	Asynchronous, monophase, with thermal protection, counterclockwise rotation, 2300rpm

ACCESSORIES

Room thermostat	Thermostat TH5
Supply conductor	5m
Supply conductor	10m
Hot air hoses	Hoses ∅ 305

WIRING DIAGRAM



L1	:	Phase
L2	:	Phase
L3	:	Phase
N	:	Neutral
PE	:	Ground
WR	:	Thermal cut-out
WZ	:	Overheat sensor
R1	:	Heating element
R2	:	Heating element
R3	:	Heating element
R4	:	Heating element
R5	:	Heating element
R6	:	Heating element
TA	:	Thermostat
TR	:	Thermostat
C1	:	Contactora
C2	:	Contactora
S	:	Switch
M	:	Motor