

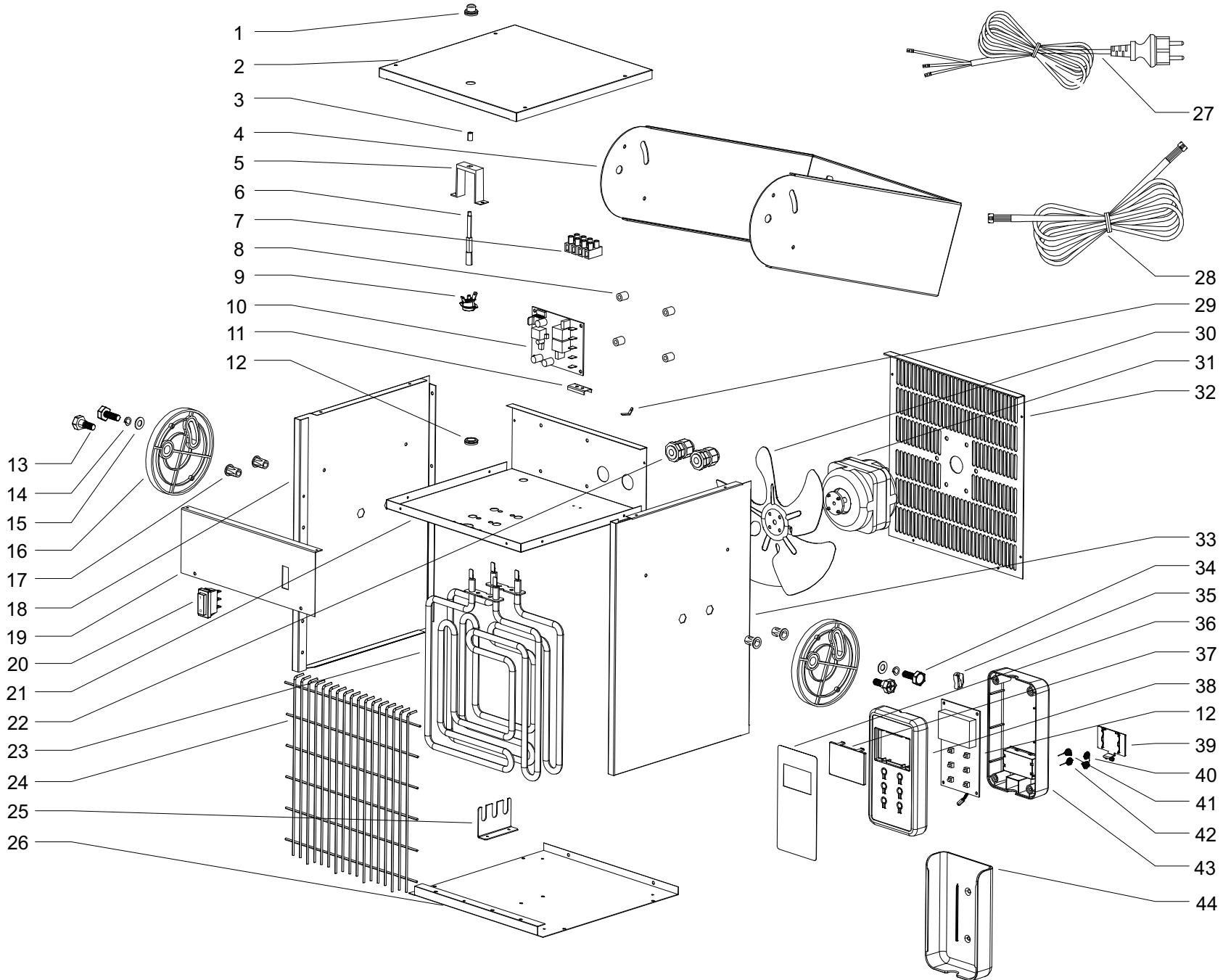
MODEL TR 3C

UNIT 1

ILLUSTRATED PARTS BREAKDOWN

Rev -- Apr. 2020

From Serial Number:



MODEL TR 3C

UNIT 2

PARTS LIST

N°	CODE	DESCRIPTION
1	4141.320	MANUAL RESET BUTTON
2	4141.321	UPPER COVER
3	4141.322	CONNECTING ROD
4	4141.323	SUSPENSION BRACKET
5	4141.324	FIXED BRACKET
6	4141.325	TEMPERATURE CONTROL ROD
7	4141.326	PILLAR TERMINAL
8	4141.327	SUPPORT
9	4141.328	MANUAL RESET THERMOSTAT
10	4141.329	PC-BOARD
11	4141.330	TERMINAL BASE
12	4141.331	PROTECTIVE RING
13	4141.332	SCREW
14	4141.333	LOCKING GASKET
15	4141.334	FLAT GASKET
16	4141.335	ANGLE BASE CONTROL
17	4141.336	RIVET
18	4141.337	LEFT SHELL
19	4141.338	FRONT PANEL
20	4141.339	POWER SWITCH
21	4141.340	MAIN FIXED BLADE
22	4141.341	STRAIN RELIEF
23	4141.342	HEATING ELEMENT
24	4141.343	FRONT GRILLE
25	4141.344	HEATING ELEMENT BRACKET
26	4141.345	BOTTOM SHELL
27	4141.346	POWER CORD
28	4141.347	CONTROL POWER CORD
29	4141.348	INSERTING
30	4141.349	MOTOR FAN
31	4141.350	MOTOR
32	4141.351	INLET GRILLE
33	4141.352	RIGHT SHELL
34	4141.353	SCREW
35	4141.354	CORD LID
36	4141.355	CONTROL LABEL
37	4141.356	TRANSPARENT COVER
38	4141.357	CONTROL UPPER LID
39	4141.358	BATTERY LID
40	4141.359	CONTROL LOWER LID
41	4141.360	SPRING 1
42	4141.361	SPRING 2
43	4141.362	SPRING 3
44	4141.363	CONTROL BASE