

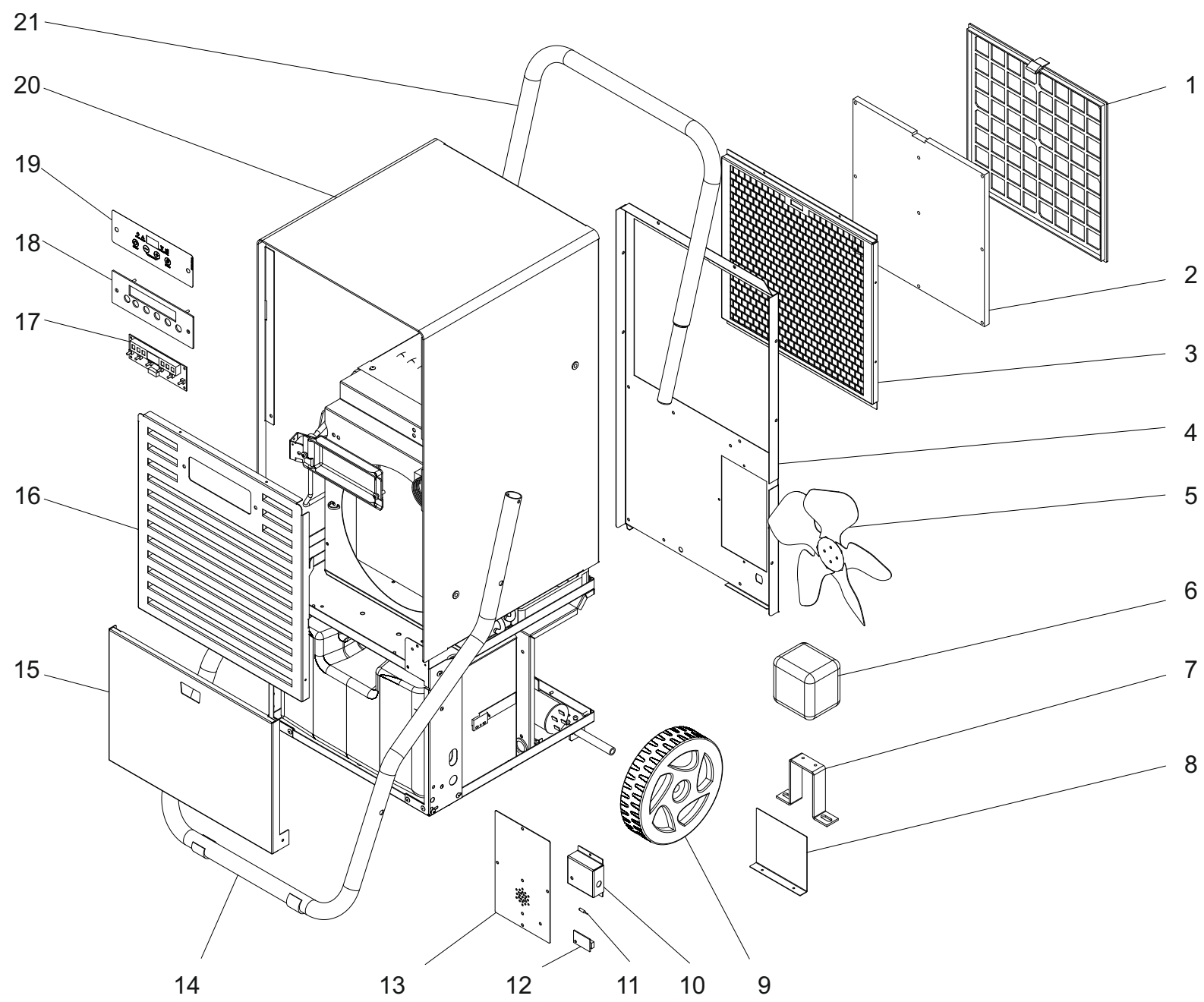
# MODEL DH 26 (R1234)

UNIT 1

ILLUSTRATED PARTS BREAKDOWN

From Serial Number :

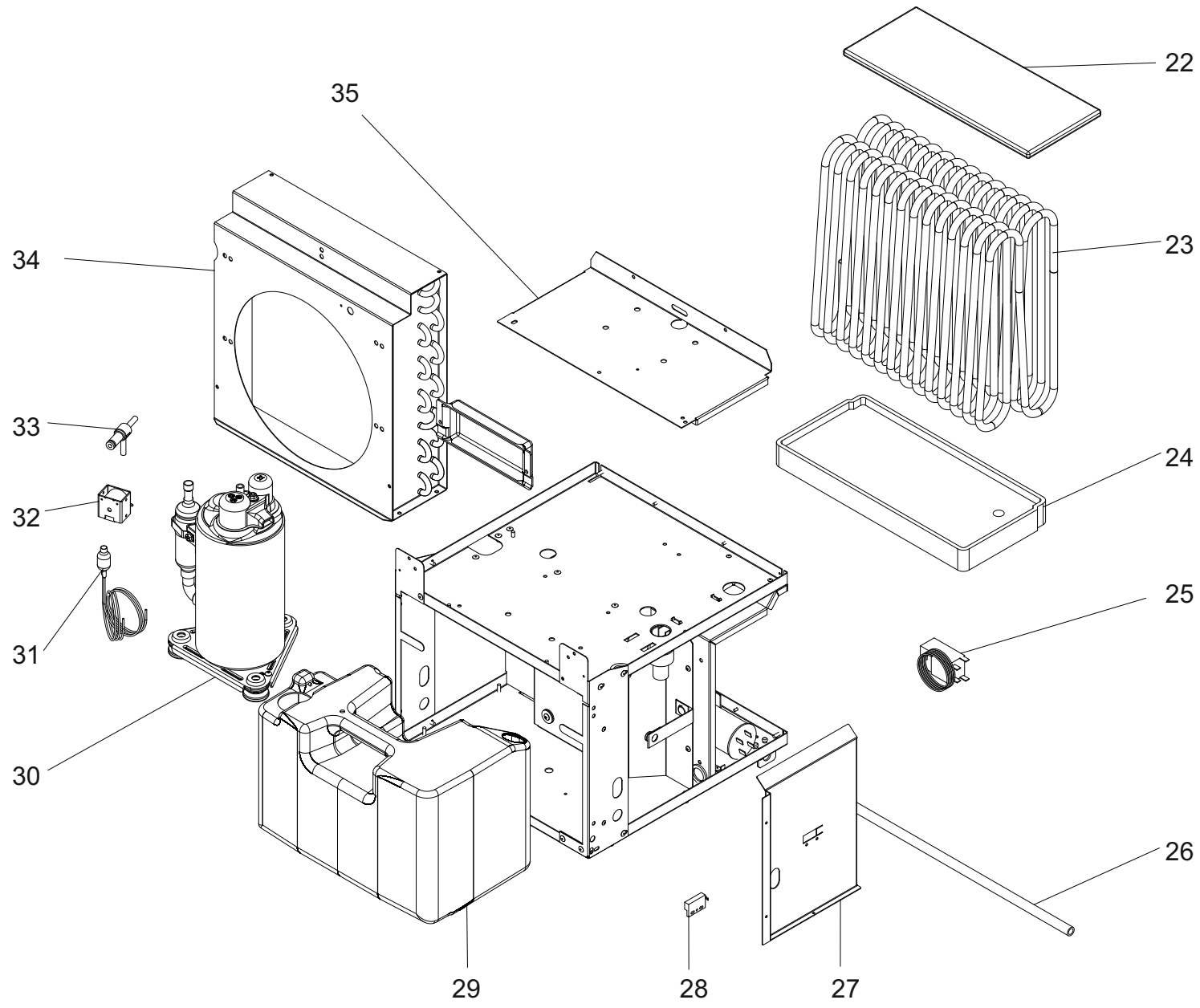
Rev. - - Nov. 2020



# MODEL DH 26 (R1234)

UNIT 2

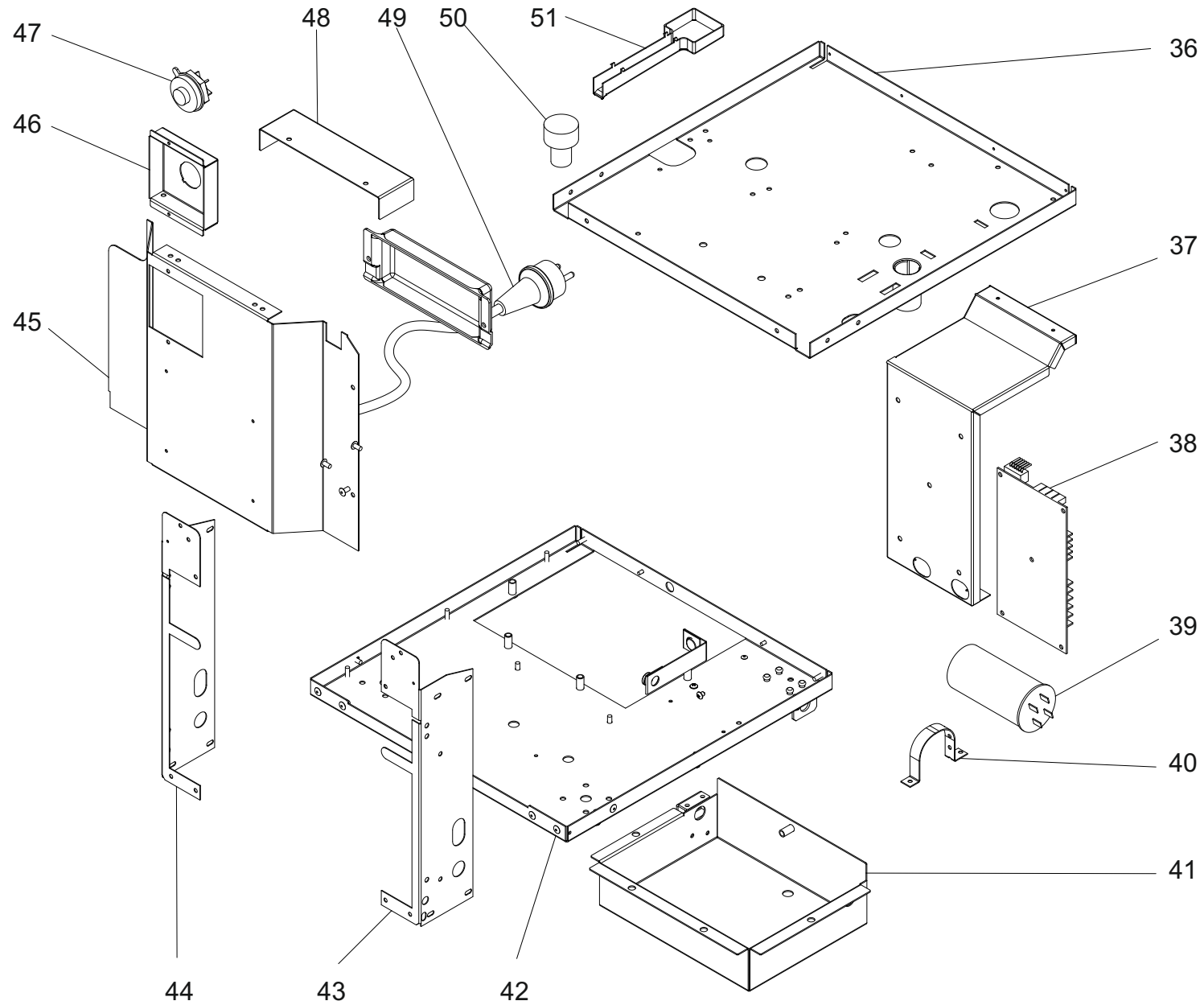
ILLUSTRATED PARTS BREAKDOWN



# MODEL DH 26 (R1234)

UNIT 3

ILLUSTRATED PARTS BREAKDOWN



# MODEL DH 26

UNIT 2

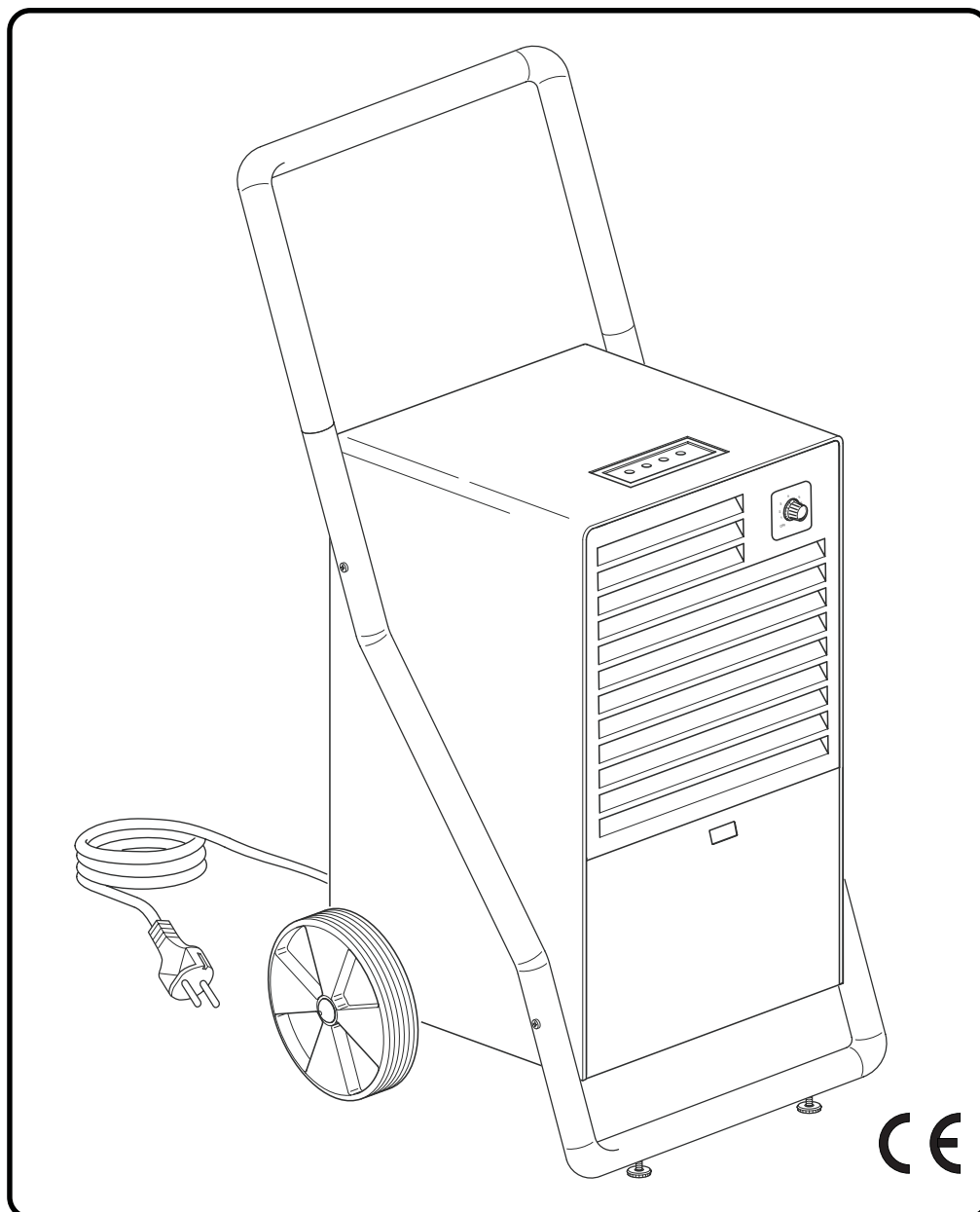
PARTS LIST

N°	CODE	DESCRIPTION
1	4141.614	FILTER SEAT
2	4141.579	AIR FILTER
3	4141.615	INSIDE GRILLE
4	4141.616	BACK PANEL
5	4140.270	IMPELLER
6	4140.271	MOTORFAN
7	4140.272	FAN SUPPORT
8	S/R	FAN PROTECTION
9	4141.578	WHEEL
10	S/R	BOX HUMIDITY PROBE
11	4141.654	TEMPERATURE PROBE
12	4141.652	HUMIDITY SENSOR
13	4141.617	PANNEL VANE SENSOR
14	4140.300	HANDLE PIPE
15	4141.618	DOOR
16	4141.619	FRONTAL GRILL
17	4141.607	DIGIT DISPLAY
18	4141.585	DISPLAY SUPPORT
19	4141.600	DISPLAY LABEL
20	4141.620	COVER
21	4140.342	HANDLE
22	4140.294	TOP TRY
23	4140.293	EVAPORATOR
24	4140.294	LOWER CONDENSATE COLLECTING TRAY
25	4141.592	THERMOSTAT
26	4141.091	AXIL WHEEL
27	S/R	SENSOR TANK SUPPORT
28	4140.430	SENSOR TANK
29	4141.621	TANK
30	4141.622	KIT COMPRESSOR
31	4141.623	REFRIGERANT FILTER WITH CAPILLARY
32	4141.588	COIL
33	4141.624	SOLENOID VALVE
34	4141.625	CONDENSER
35	S/R	SUPPORT EVAPORATOR
36	S/R	PLANE INTERMEDIATE
37	S/R	ELETTRICAL VANE
38	4141.606	ELECTRONIC CARD
39	4141.650	RUN CAPACITOR
40	S/R	CONDENSER CAPACITOR BELT
41	S/R	COMPRESSOR BOX
42	S/R	BOTTOM PANEL
43	S/R	UPPERCUT RIGHT
44	S/R	UPPERCUT LEFT
45	S/R	VERTICAL PANEL
46	S/R	CONNECTOR SUPPORT
47	4141.651	CONNECTOR 6 PIN
48	S/R	PROTECTION PANNEL
49	4140.479	CABLE
49A	4141.656	CABLE UK
50	S/R	DISCHARGE
51	4140.274	DISCHARGE CHANNEL

# MASTER<sup>®</sup>

CLIMATE SOLUTIONS

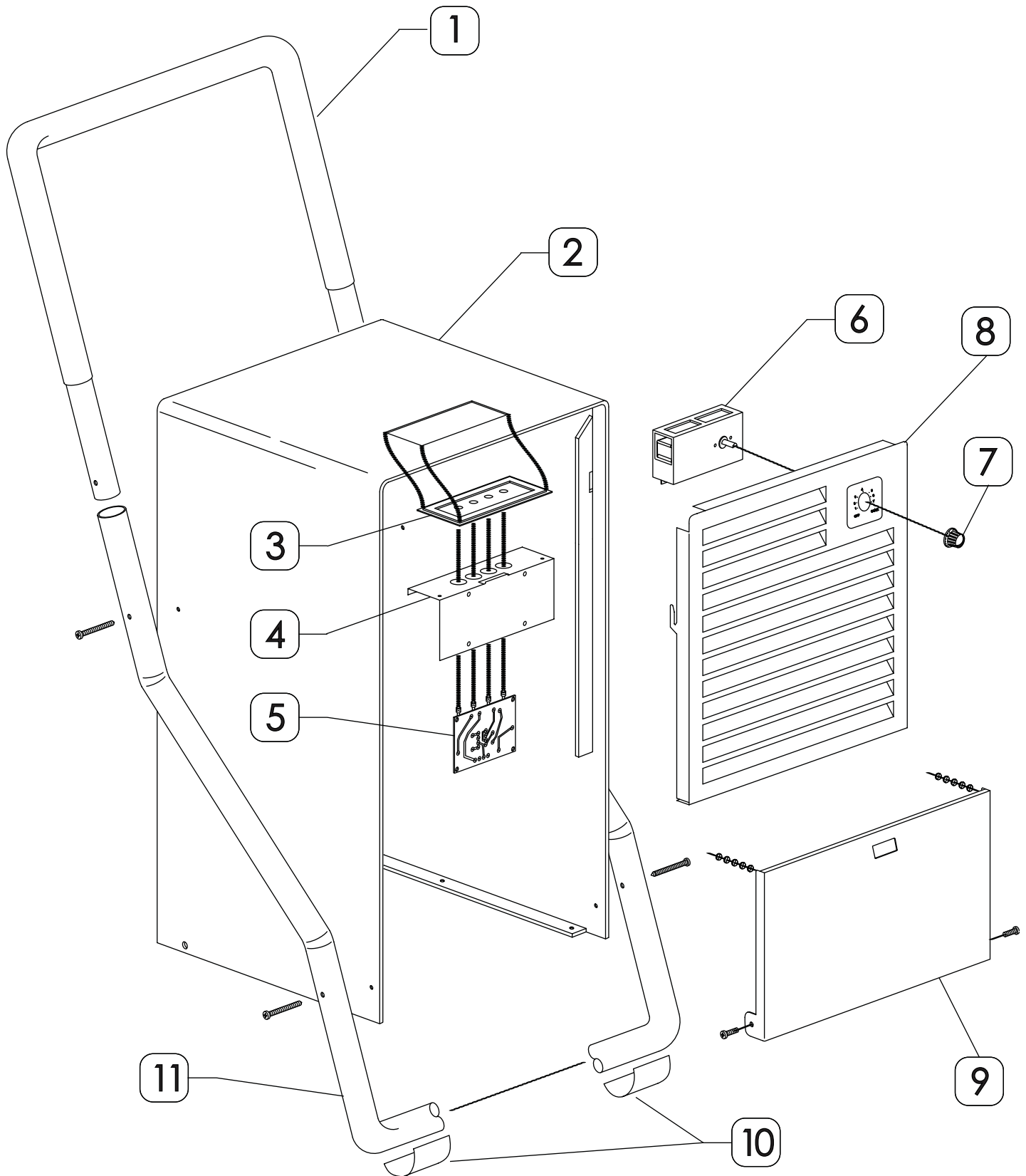
## DEHUMIDIFIERS



GB

# DH 26

SPARE PARTS DISASSEMBLY

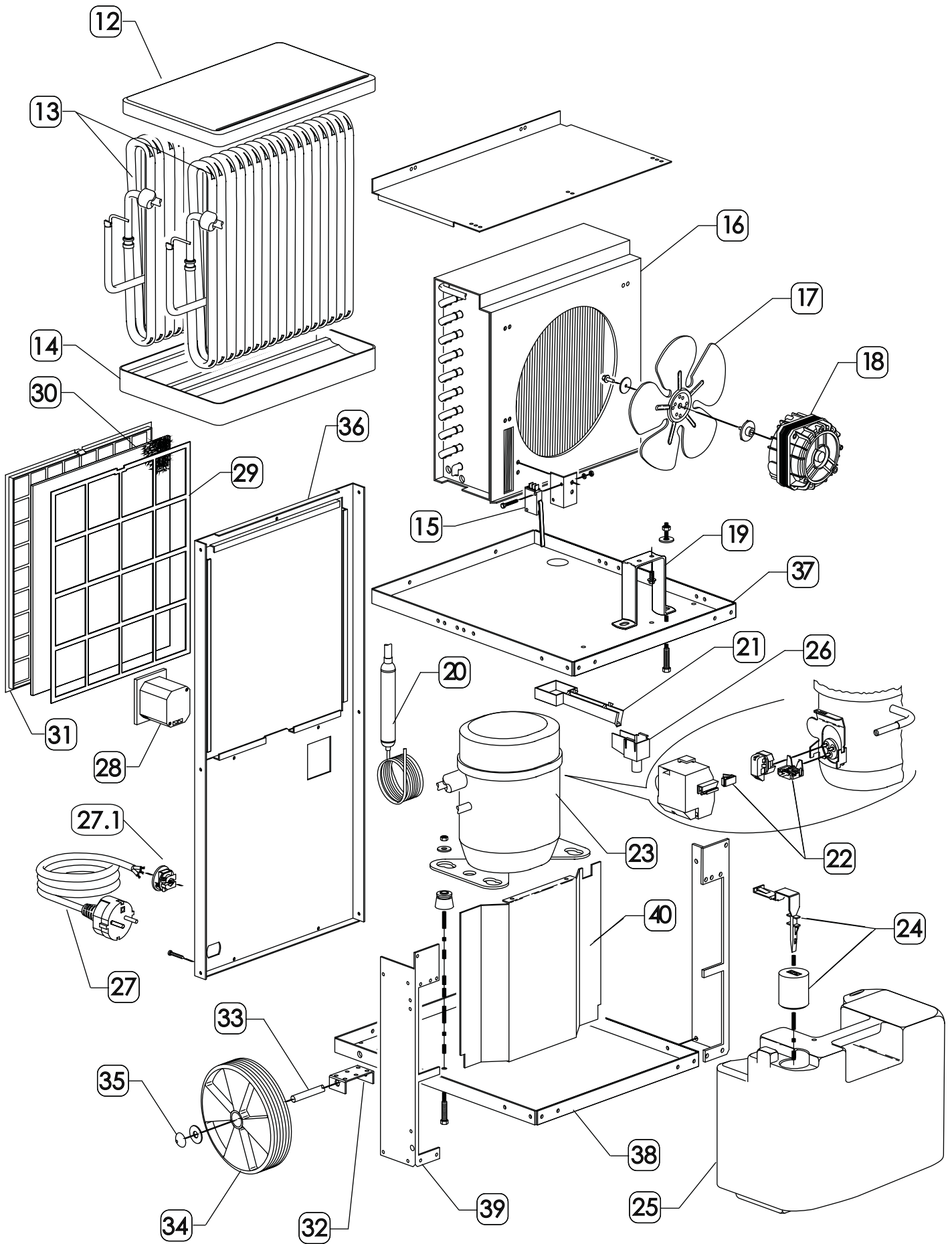


# MODEL DH 26

UNIT 2

ILLUSTRATED PARTS BREAKDOWN

Rev. -- Apr. 2013



# DEHUMIDIFIER DH 26

UNIT3

PARTS LIST

Pos.	Code NR	Description	Rev.- - Apr.2013
1	4140.342	Handle	
2	S/R	Metal cover	
3	4140.205	Control panel with silkscreen printing	
4	4140.206	Support pcb	
5	4140.201	PCB	
6	4140.245	Dehumidostat	
7	4140.291	Knob	
8	S/R	Grille	
9	4140.108	Front door	
10	4140.234	Foot	
11	4140.300	Pipe handle	
12	4140.292	Top tray	
13	4140.293	Evaporator	
14	4140.294	Lower condensate collecting tray	
15	4140.268	Microswitch with support	
16	4140.269	Condenser	
17	4140.270	Impeller	
18	4140.271	Motorfan	
19	4140.272	Fan bracket	
20	4140.273	Refrigerant filter with capillary	
21	4140.274	Water tray conveyor	
22+23	4140.275	Compressor starting group	
	4140.276	Compressor	
24	4140.277	Float with tank	
25	4140.278	Tank	
26	4140.279	Fitting for waste pipe	
27	4140.280	Power cord	
27.1	4140.349	Strain relief	
28	4140.158	Hour counter	
29+30+	4140.281	Air filter lock	
31	4140.259	Air filter	
	4140.260	Air filter holder	
32+33	4140.282	Support axis wheel	
	S/R	Wheel axis	
+34+35	4140.283	Wheel	
	4140.284	Cover	
36	4140.285	Rear panel	
37	4140.286	Upper bottom	
38	4140.287	Bottom fitting	
39	4140.182	Risers	
40	4140.183	Vertical panel	
41	4140.289	Inside wiring	
42	4140.184	Support evaporator	

S/R - PARTS AVAILABLE BY SPECIAL REQUEST ONLY

ESP00057