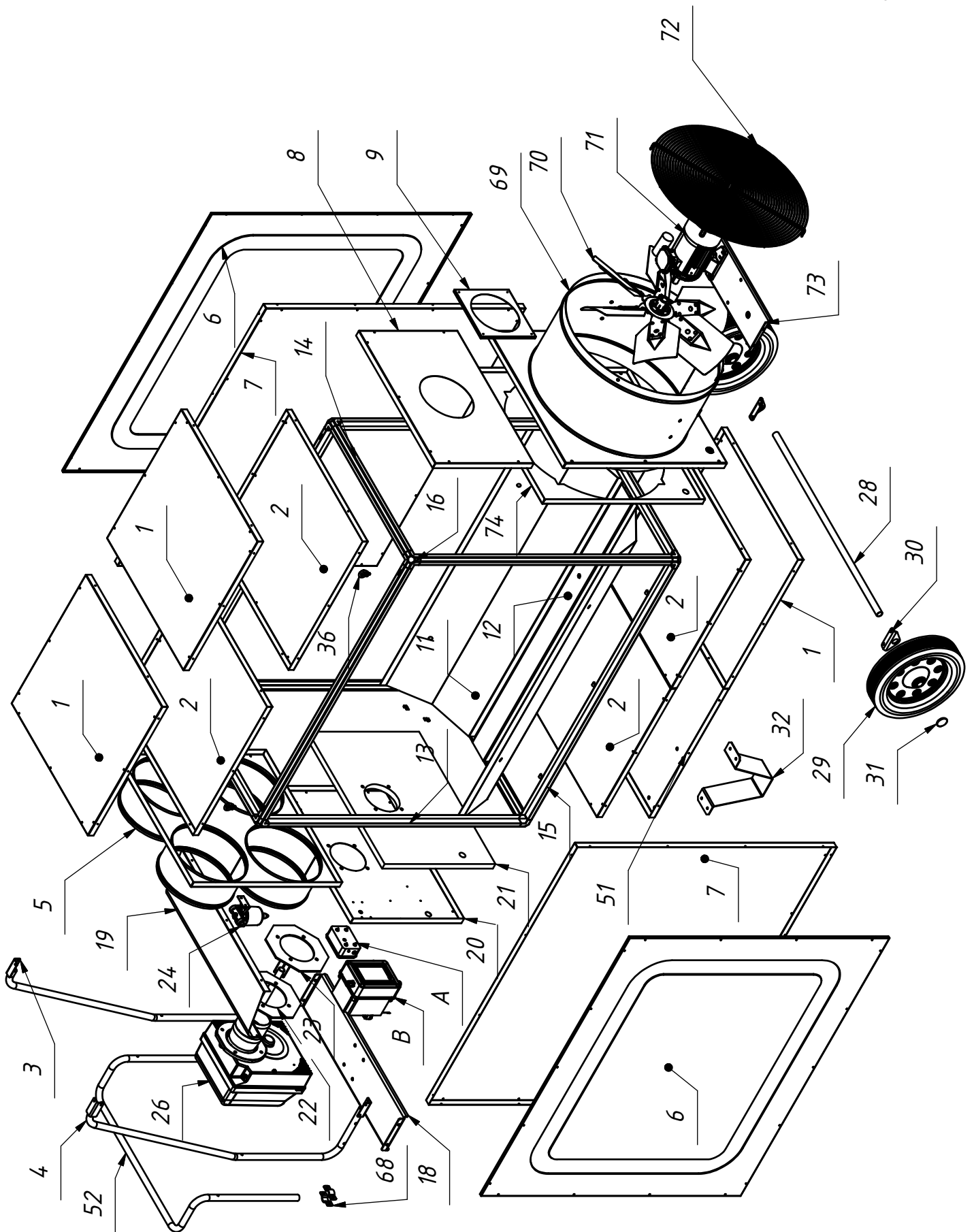


BV690FS (single phase)

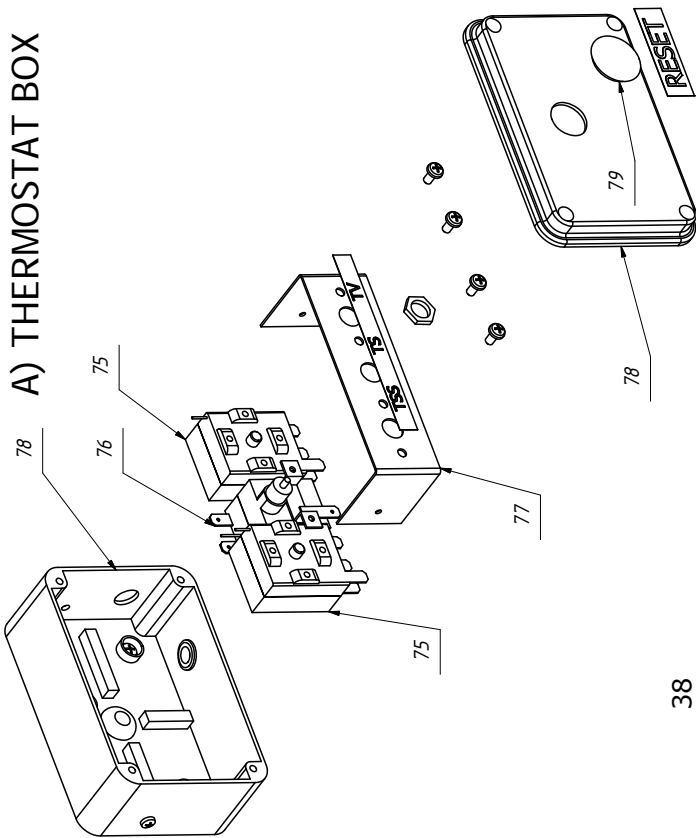
UNIT 1

ILLUSTRATED PARTS BREAKDOWN

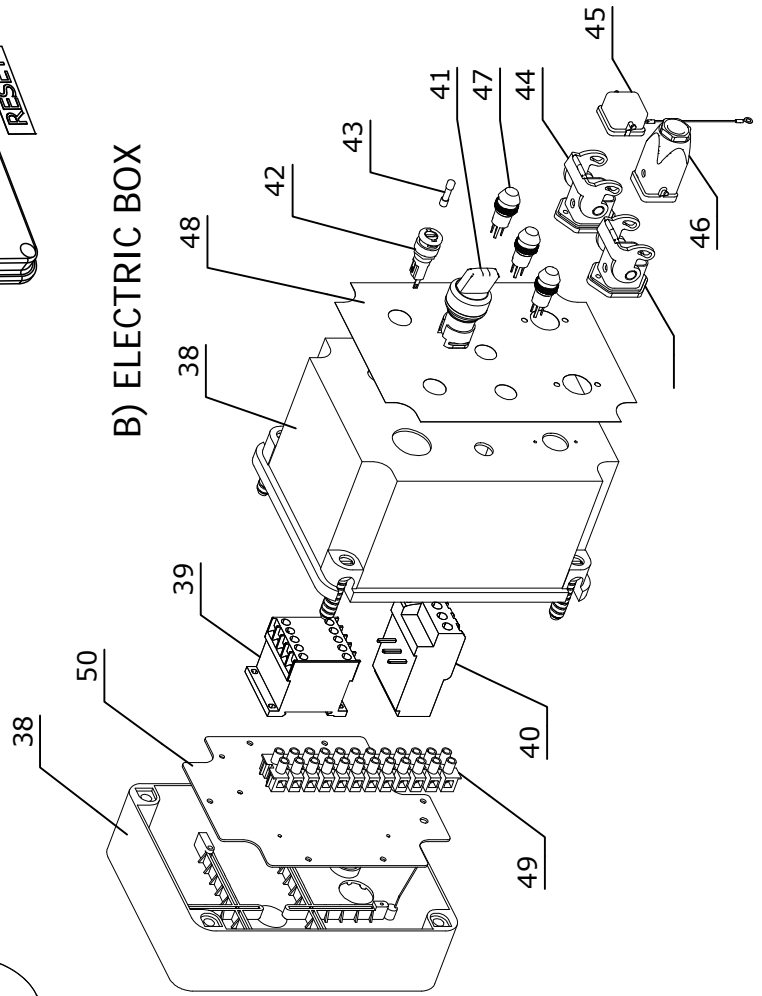
Edizione 2010
Rev. A



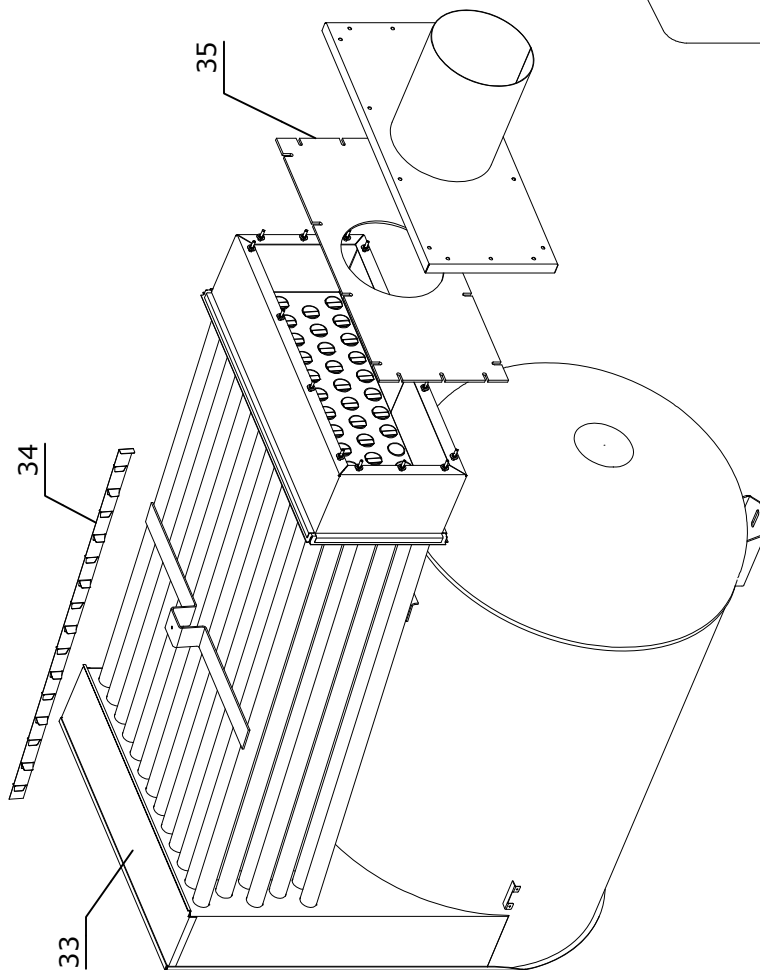
A) THERMOSTAT BOX



B) ELECTRIC BOX



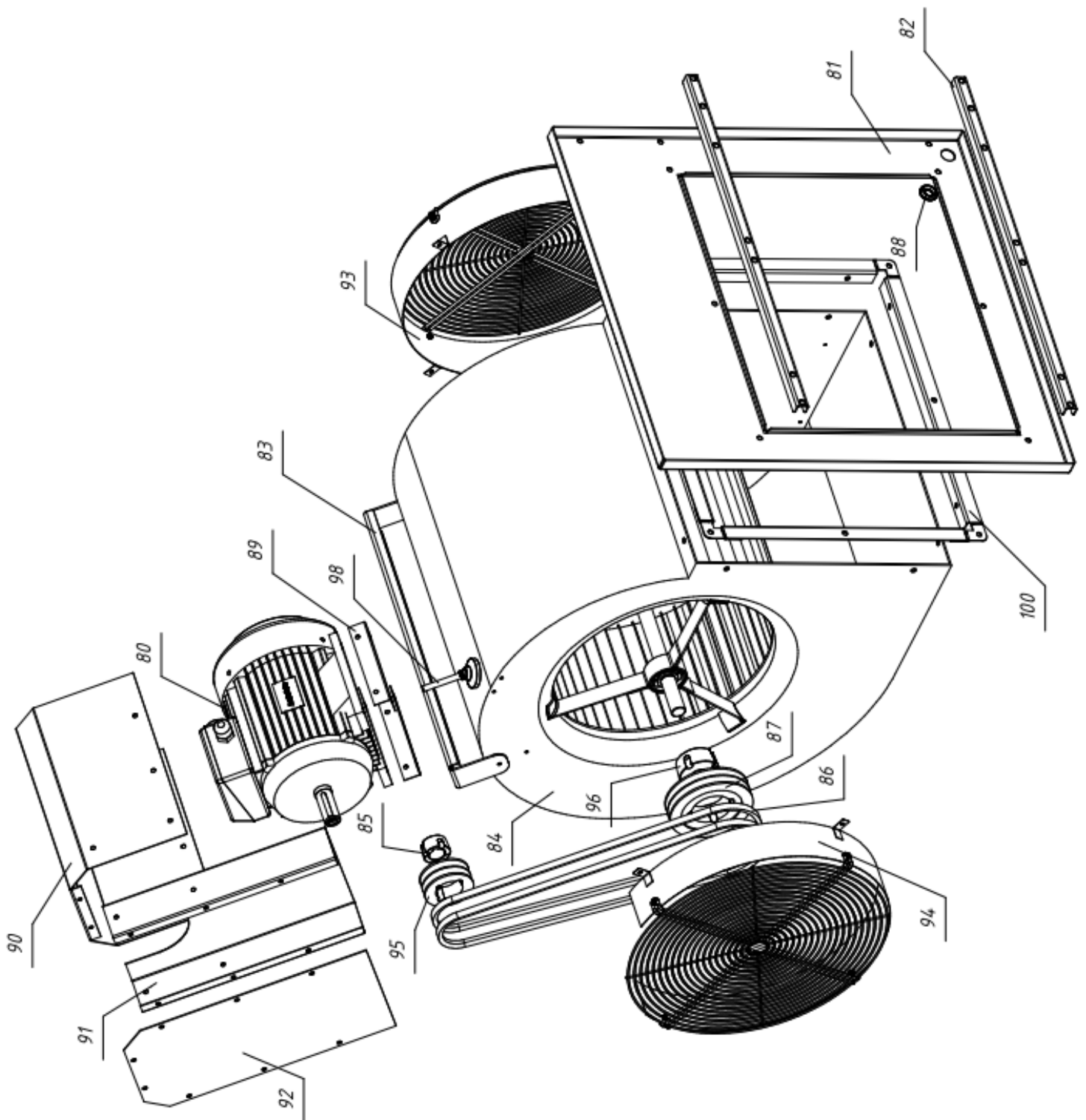
COMBUSTION CHAMBER



Pos.	Code NR	Description
1	S/R	Upper External Panel
2	S/R	Upper Internal Panel
3	4514.179	Left Protection
4	4514.180	Right Protection
5	4514.238	4-Way Air Outlet Panel
5	4514.093	1-Way Air Outlet Panel (Optionally)
6	S/R	Lateral External Panel
7	S/R	Lateral Internal Panel
8	S/R	Chimney Panel
9	S/R	Flange Cover Chimney
11	S/R	Deflector
12	S/R	Combustion Chamber Bracket
13	S/R	Chamfered Profile For Panel 25 L=1200
14	S/R	Chamfered Profile For Panel 25 L=690
15	S/R	Chamfered Profile For Panel 25 L=1381
16	S/R	3 Way Corner For Chamfered Profile
18	S/R	Wheel Support
19	S/R	Burner Cover
20	S/R	Burner External Panel
21	4514.615	Burner Thermic Insulator
22	4514.168	Universal Plate
23	4514.616	Plate Seal
24	4031.120	Oil Pre Heater
26	4514.304	Oil Burner RG4 F
28	4514.183	Axle
29	4514.617	Wheel D.385
30	4514.128	Hub Bracket
31	4514.803	Fixing Washer For Shaft With Cup
32	S/R	Front Base
33	4514.186	Combustion Chamber
34	4514.193	Bracket For Turbolence
35	4514.619	Flue Chamber Seal
36	4514.801	Lifting Eye Bolt M8
38	4514.609	Waterproof Case (Front And Back)
39	4514.420	Contactora 7,5kW 230V for BV 690 FS
39	4514.416	Contactora 4kW 400V for BV 690 FTR

Pos.	Code NR	Description
40	4514.421	Thermal Relay 13-18A for BV 690 FS
40	4514.417	Thermal Relay 6-9A for BV 690 FTR
41	4514.402	Switch 3P
42	4514.400	Fuse Holder 5X20, 6,3A
43	4514.409	Fuse 5X20 3,15A 250V
44	4514.611	Socket Case
45	4162.467	Cap For Thermostat Socket
46	4111.118	Thermostat Plug
47	4514.415	Indicator Light 230V
48	4514.512	Panels Label
49	4514.404	Terminal Block 12T 6 ²
50	4514.141	Electric Components Plate
51	S/R	Bottom Internal Panel I
52	4514.212	Holder
68	4514.833	Clamp
69	4514.798	Fan Panel
70	4514.334	Axial Fan 6-Blade (24x50)
70	4514.345	Axial Fan 6-Blade (28x60) from serial nr 11451403800181
71	4514.335	Motor 2,2kW 230V (24x50)
71	4514.348	Motor 2,2kW 230V (28x60) from serial nr 11451403800181
72	4514.797	Grill Cover
73	4514.796	Motor Support
74	S/R	Heat Shield For Inlet
75	4514.422	Capillary Thermostat
76	4514.419	Over-Heat Thermostat 16A/230V 110°C With Reset
77	4514.799	Thermostat Support
78	4514.623	Thermostat Plastic Box (Front And Back)
79	4514.624	Button Plug
A	4514.430	Thermostat Box
B	4514.413	Electric Box for BV 690 FS
B	4514.424	Electric Box for BV 690 FTR

S/R = Parts available on special request only



Pos.	Code NR	Description
80	4514.310	Motor 4kW 3X400V
81	S/R	Fan Mounting Panel
82	S/R	Fan Assembly Channel
83	4514.269	Motor Support
84	4514.312	Radial Fan AT18/18S
85	4514.333	Taper Lock 1210X28
86	4514.337	V-Belt SPA 1312
87	4514.340	Pulley SPA 140X2
88	4514.607	Rubber Bushing D16
89	4514.713	Motor Cover Support
90	4514.715	Side Motor Cover
91	4514.716	Frame Motor Cover
92	4514.717	Front Motor Cover
93	4514.725	Fan Guard
94	4514.726	Fan Guard With Cutting
95	4517.130	Pulley SPA 80X2
96	4517.133	Taper Lock 2012X25
98	4514.839	Self-Aligning Foot M10X68
100	4514.313	Assembling Flange

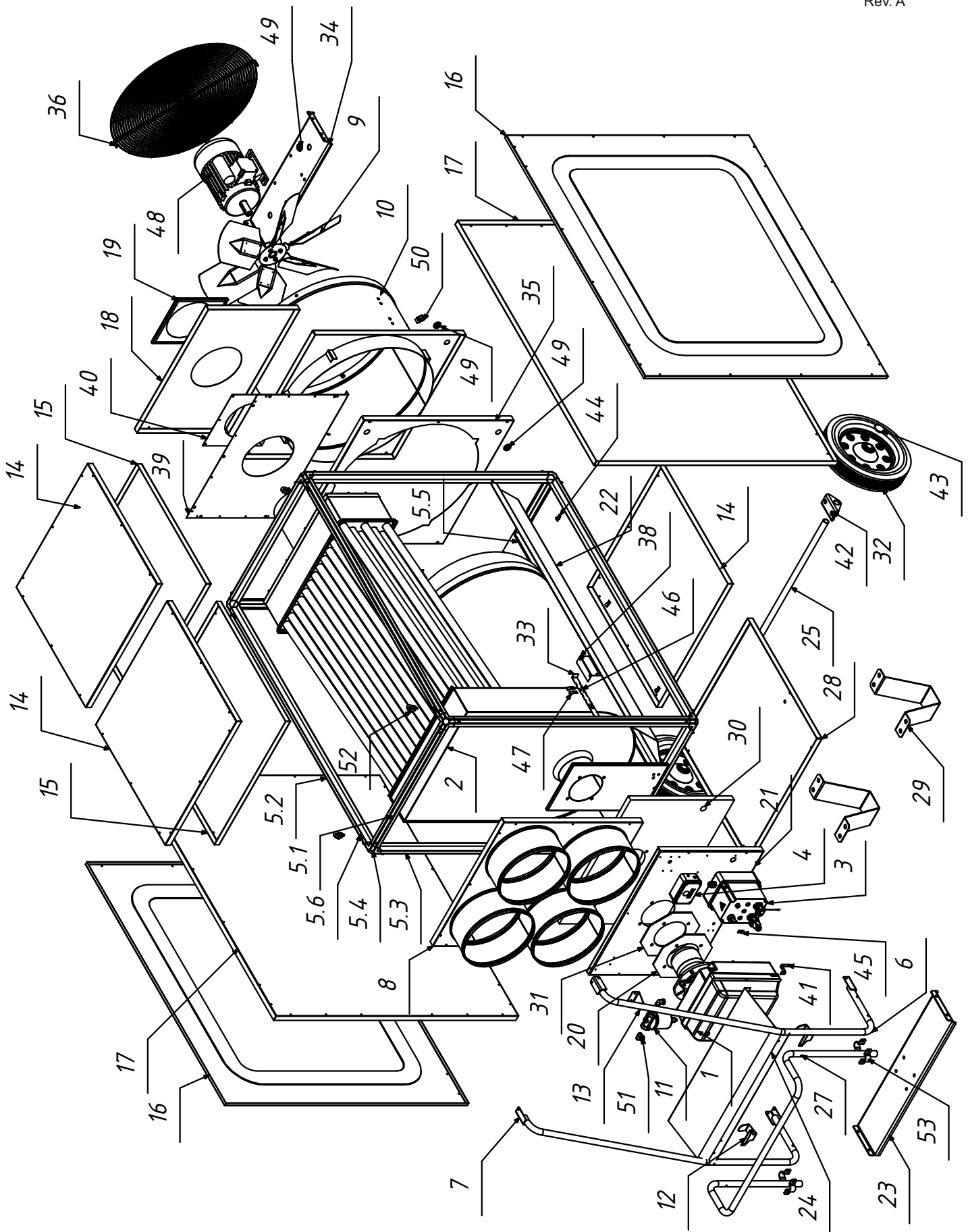
S/R = Parts available on special request only

BV 690 FS / BV 690 FT MODEL 2011/2012

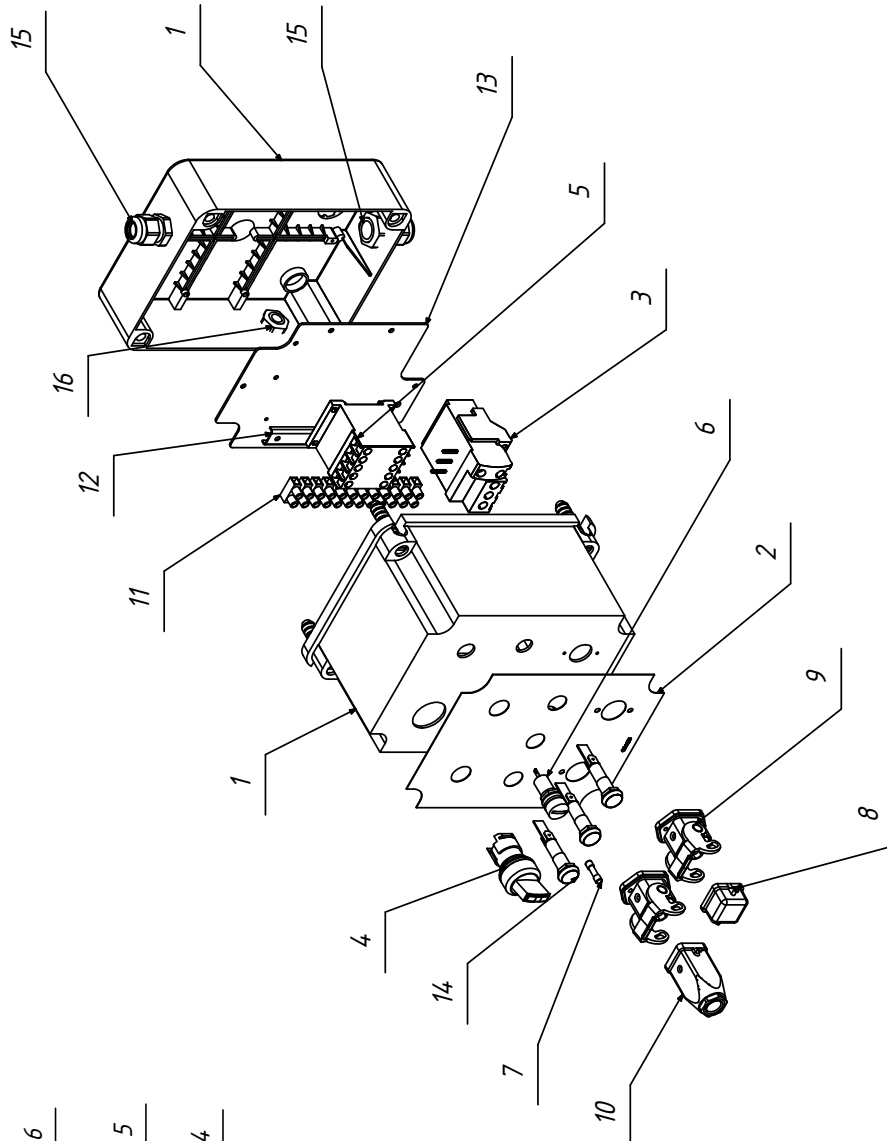
UNIT 1

ILLUSTRATED PARTS BREAKDOWN

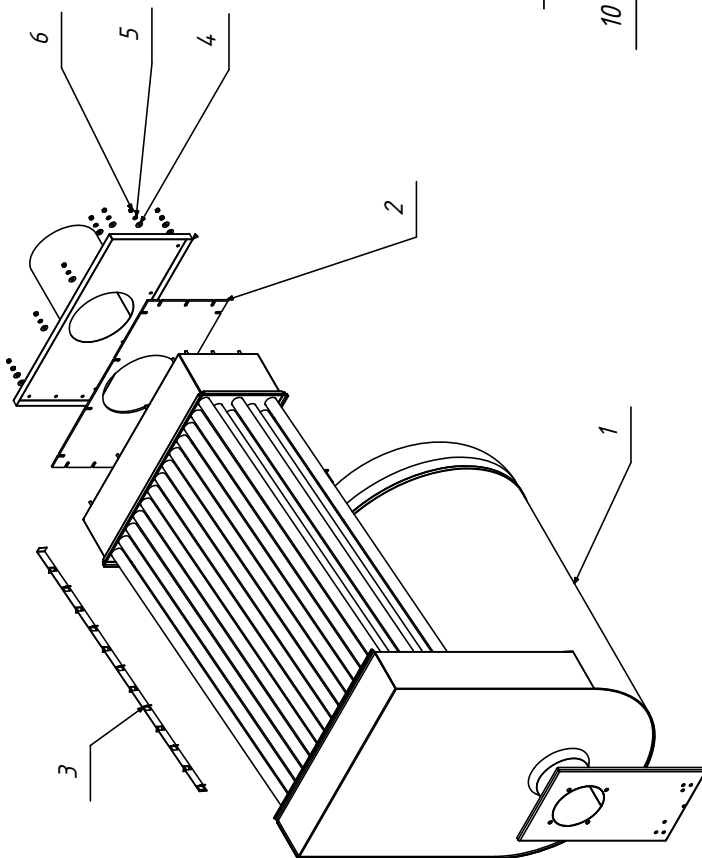
Edizione 2012
Rev. A



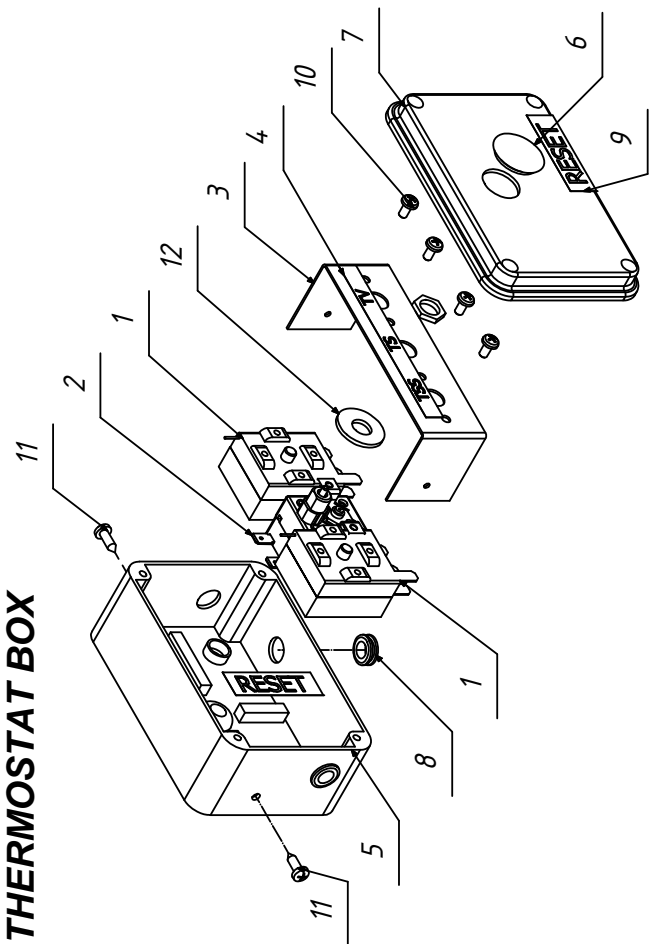
ELECTRIC BOX



COMBUSTION CHAMBER



THERMOSTAT BOX



Pos.	Code NR	Description
1	4514.304	Oil Burner RG4F (Nozzle 4.5Gph 60oW)
2	4514.205	Combustion Chamber 690 Complete
3*	4514.413	Electric Box Bv 690 FS
3*	4514.423	Electric Box Bv 690 FT
4*	4514.430	Thermostats Box
5.1	4514.176	Chamfered Profile For Panel 25 L=690
5.2	4514.177	Chamfered Profile For Panel 25 L=1381
5.3	4514.178	Chamfered Profile For Panel 25 L=1200
5.4	4514.147	3-Way Corner Forchmfered Profile
5.5	4514.175	Supporting Beam Bv690
5.6	4514.245	Threaded Block
6	4514.179	Left Burner Protection
7	4514.180	Right Burner Protection
8	4514.238	4-Way Outlet
8	4514.093	1-Way Outlet (Optiononally)
9	4514.345	Fan Fi650/27o 6-Blade
10	4514.798	Fan Panel D650
11	4031.120	Oil Filter-Pre Heater 3/8" 100W 230V
12	4032.535	Cable Hanger
13	4514.161	Support For Oil Filter With Preheater
14	4514.162	External Panel
15	4514.163	Upper Internal Panel
16	4514.164	Lateral External Panel
17	4514.165	Lateral Internal Panel
18	4514.166	Chimney Panel
19	4514.167	Flange Cover Chimney 200mm
20	4514.168	Universal Plate
21	4514.169	Burner External Panel
22	4514.172	Air Direction Sheet
23	4514.173	Rotating Wheel Support
24	4514.182	Burner Cover
25	4514.183	Axle
27	4514.212	Handle
28	4514.281	External Down Panel I
29	4514.282	Front Base
30	4514.615	Burner Thermic Insolator
31	4514.616	Plate Seal
32	4514.617	Metal Rubber Wheel Black Ø385
33	4514.711	Capillary Bracket
34	4514.792	Base For Motor D650 (H100mm)
35	4514.793	Heat Shield Of Inlet D650
36	4514.797	Protective Grid D650
38	4517.152	Cover Of Capillarys
39	4518.106	Heat Shield For Chimney
40	4518.107	Flange Cover Chimney (Ø200)
41	4518.108	Burner Stabilizer
42	4518.199	Support For Wheel Axle Fi25X28
43	4514.803	Fixing Washer For Shaft With Cup Ø25
44	4517.807	Clamp 8mm
45	4517.811	Clamp 6mm
46	4510.855	Band Clip 06-11 5
47	4510.872	Fitting The Capillary Tube
48	4514.346	Electric Motor 2,2Kw 230V For BV 690 FS

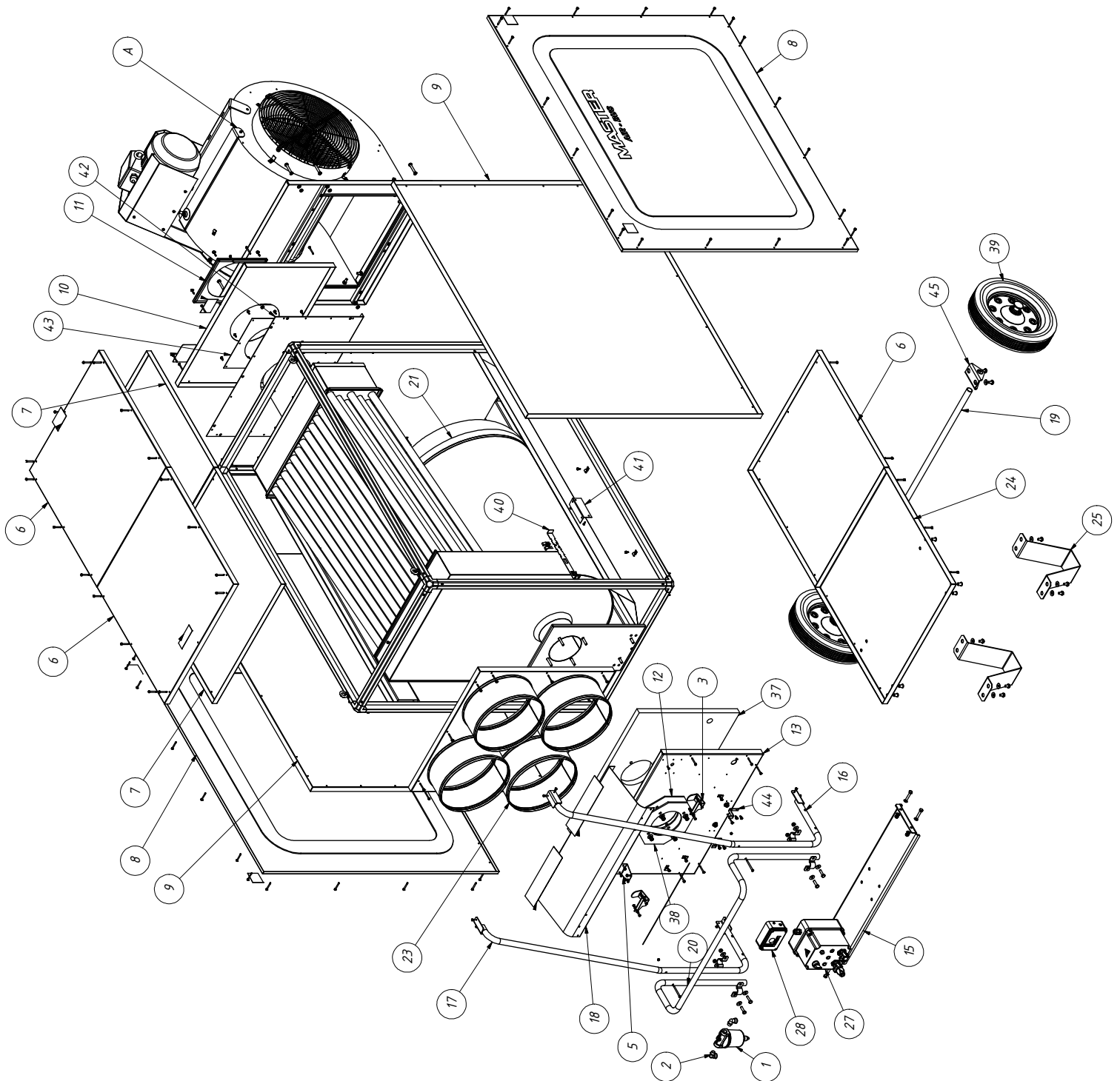
Pos.	Code NR	Description
48	4514.347	3-Phase Motor 2,2Kw 400V For BV 690 FT
49	4514.607	Rubber Bushing
50	4517.406	Cable Gland Pg-11 Black
51	4031.581	Connection 3/8"
52	4514.801	Eye Bolt M8
53	4514.833	Assembly Clamp Ø26Mm, M8
3* ELECTRIC BOX		
1	4514.609	Casing 190x140x140
2	4514.565	Control box label
3	4514.421	Thermal relay 13-18A For BV 690 FS
3	4514.418	Thermal relay 4-6A For BV 690 FT
4	4514.402	Switch 3P
5	4514.420	Contacteur 3P 230V~ 7,5Kw 1NC For BV 690 FS
5	4514.416	Contacteur 3P 230V~ 4Kw 1NO For BV 690 FT
6	4514.400	Fuse holder 5x20 6,3A
7	4514.409	Fuse 5x20 3,15A 250V
8	4162.467	Cap for thermostat socket
9	4514.611	Socket case
10	4514.610	Plug case
11	4514.404	Terminal block 12T 6^2
12	4514.795	Distance terminal bock
13	4514.141	Electric component plate
14	4514.415	Light indicator 230V
15	4514.606	Cable gland DP11H
16	4514.621	Cable glad DP7H
COMBUSTION CHAMBER		
1	4514.186	Combustion Chamber Of BV690
2	4514.619	Flue Chamber Seal
3	4514.193	Turbuliser
4	4514.806	Enlarged Round Washer A6,4
5	4510.831	Spring Lock Washers
6	4510.830	Nut M6
4* THERMOSTAT BOX		
1	4514.422	Thermostat 27,5-87,5°C
2	4514.433	Over-Heat Termostat 16A/250V 90°C-110°C
3	4514.799	Thermostats Support
4	4514.557	Label Thermostats Description
5	4514.623	Casing 120X80X50 (Bottom)
6	4514.624	Button Ø19
7	4514.623	Casing 120X80X50 (Top)
8	4514.621	Bushing
9	4514.552	Label Reset
10	4510.814	Screw M4X8
11	4510.816	Pan Head Screw St3,9X13
12	4514.841	Distance Washer

BV 690 FTR MODEL 2011/2012

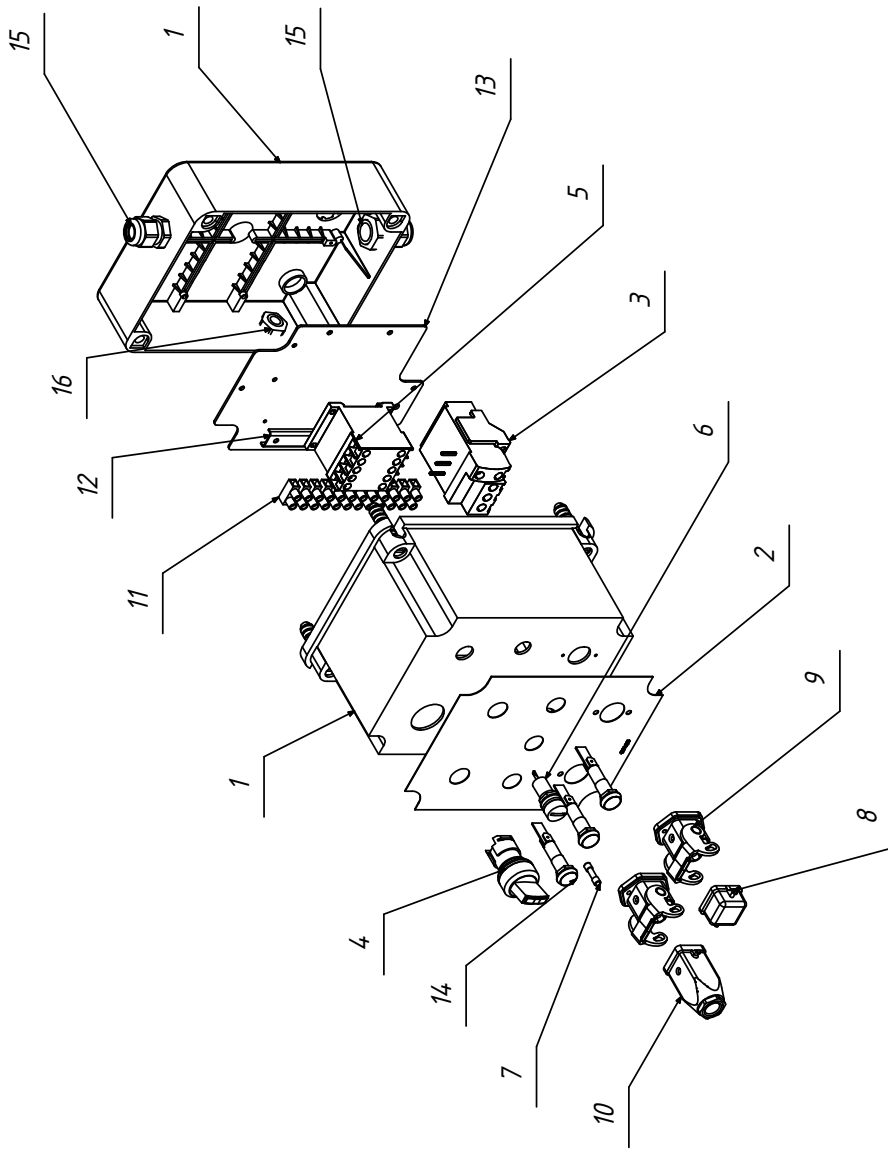
UNIT 1

ILLUSTRATED PARTS BREAKDOWN

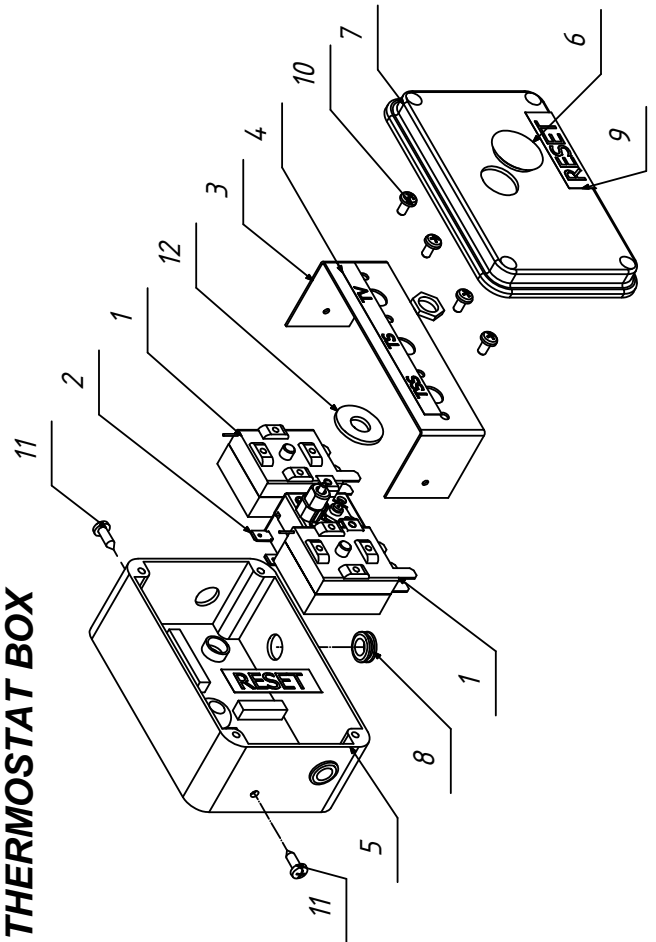
Edizione 2012
Rev. A



ELECTRIC BOX



THERMOSTAT BOX

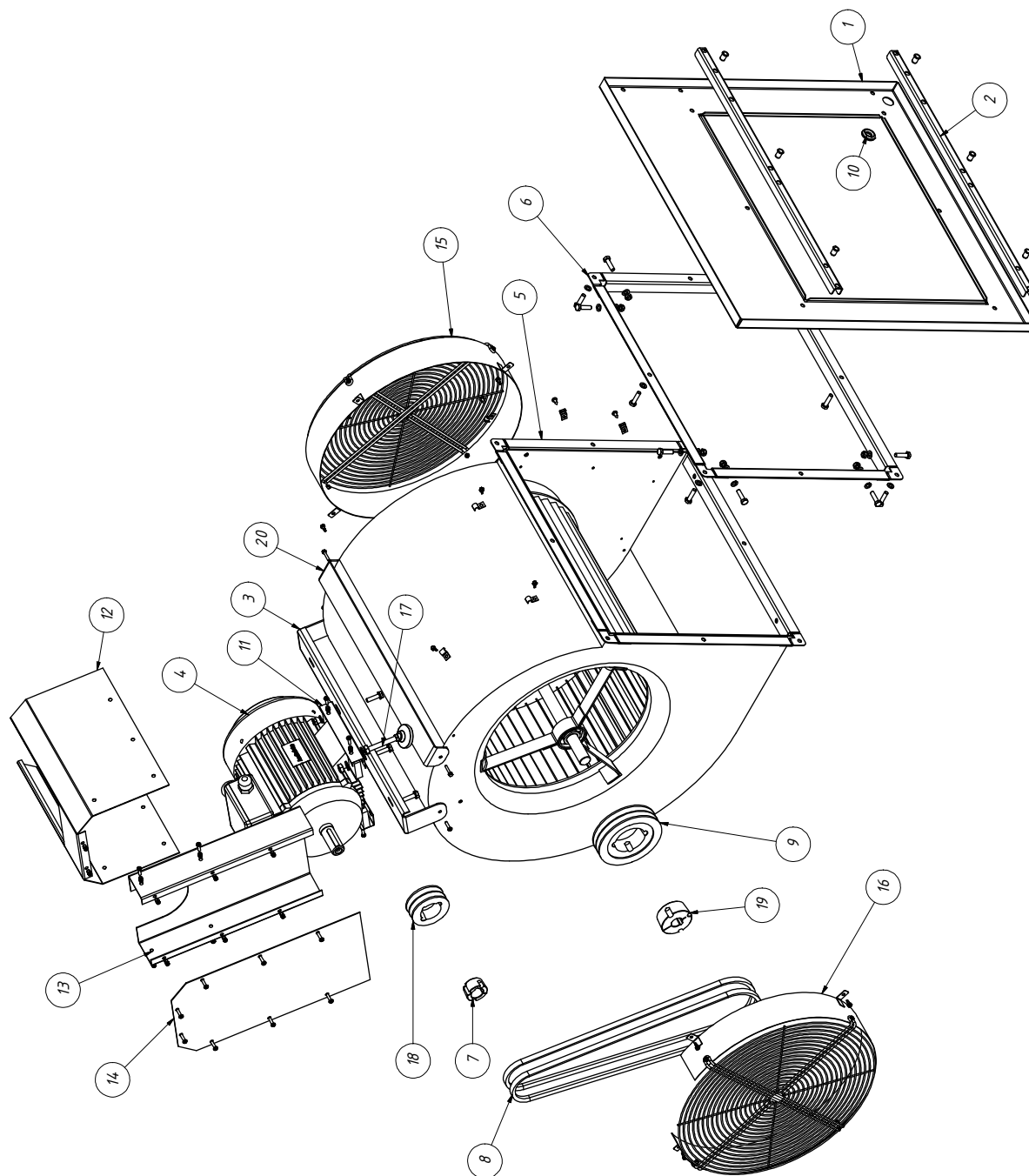


Pos.	Code NR	Description
1	4031.120	Oil Filtr-Pre Heater 3/8" 100W 230V
2	4031.581	Connection 3/8"
3	4032.535	Cable Hanger
5	4514.161	Support For Oil Filter With Preheater
6	4514.162	External Panel
7	4514.163	Upper Internal Panel
8	4514.164	Lateral External Panel
9	4514.165	Lateral Internal Panel
10	4514.166	Chimney Panel
11	4514.167	Flange Cover Chimney 200mm
12	4514.168	Universal Plate
13	4514.169	Burner External Panel
15	4514.173	Rotating Wheel Support
16	4514.179	Left Protection
17	4514.180	Right Protection
18	4514.182	Burner Cover
19	4514.183	Axle
20	4514.212	Handle
21	4514.205	Combustion Chamber Bv690 Complete
23	4514.238	4 Way Air Outlet Panel (4X320mm)
23	4514.093	1 Way Air-Out Panel Bv690 (700mm)
24	4514.281	External Bottom Panel I
25	4514.282	Front Base
27*	4514.413	Electric Box
28*	4514.430	Thermostat Box
37	4514.615	Burner Thermic Insulator
38	4514.616	Plate Seal
39	4514.617	Wheel D.385
40	4514.711	Bracket For Capillarys
41	4517.152	Cover Of Capillarys
42	4518.106	Heat Shield For Chimney
43	4518.107	Plate For Fixing Chamber
44	4518.108	Burner Stabilizer
45	4518.199	Axis Wheels Bracket
Not shown	4514.304	Oil Burner Rg4F (Nozzle 4.5Gph 60oW)
27* ELECTRIC BOX		
1	4514.609	Casing 190x140x140
2	4514.565	Control box label
3	4514.417	Thermal relay 4-9A For BV 690 FTR

Pos.	Code NR	Description
4	4514.402	Switch 3P
5	4514.416	Contactora 3P 230V~ 4Kw 1NO For BV 690 FTR
6	4514.400	Fuse holder 5x20 6,3A
7	4514.409	Fuse 5x20 3,15A 250V
8	4162.467	Cap for thermostat socket
9	4514.611	Socket case
10	4514.610	Plug case
11	4514.404	Terminal block 12T 6 ²
12	4514.795	Distance terminal bock
13	4514.141	Electric component plate
14	4514.415	Light indicator 230V
15	4514.606	Cable gland DP11H
16	4514.621	Cable glad DP7H

28* THERMOSTAT BOX

1	4514.422	Thermostat 27,5-87,5°C
2	4514.433	Over-Heat Termostat 16A/250V 90°C-110°C
3	4514.799	Thermostats Support
4	4514.557	Label Thermostats Description
5	4514.623	Casing 120X80X50 (Bottom)
6	4514.624	Button Ø19
7	4514.623	Casing 120X80X50 (Top)
8	4514.621	Bushing
9	4514.552	Label Reset
10	4510.814	Screw M4X8
11	4510.816	Pan Head Screw St3,9X13
12	4514.841	Distance Washer



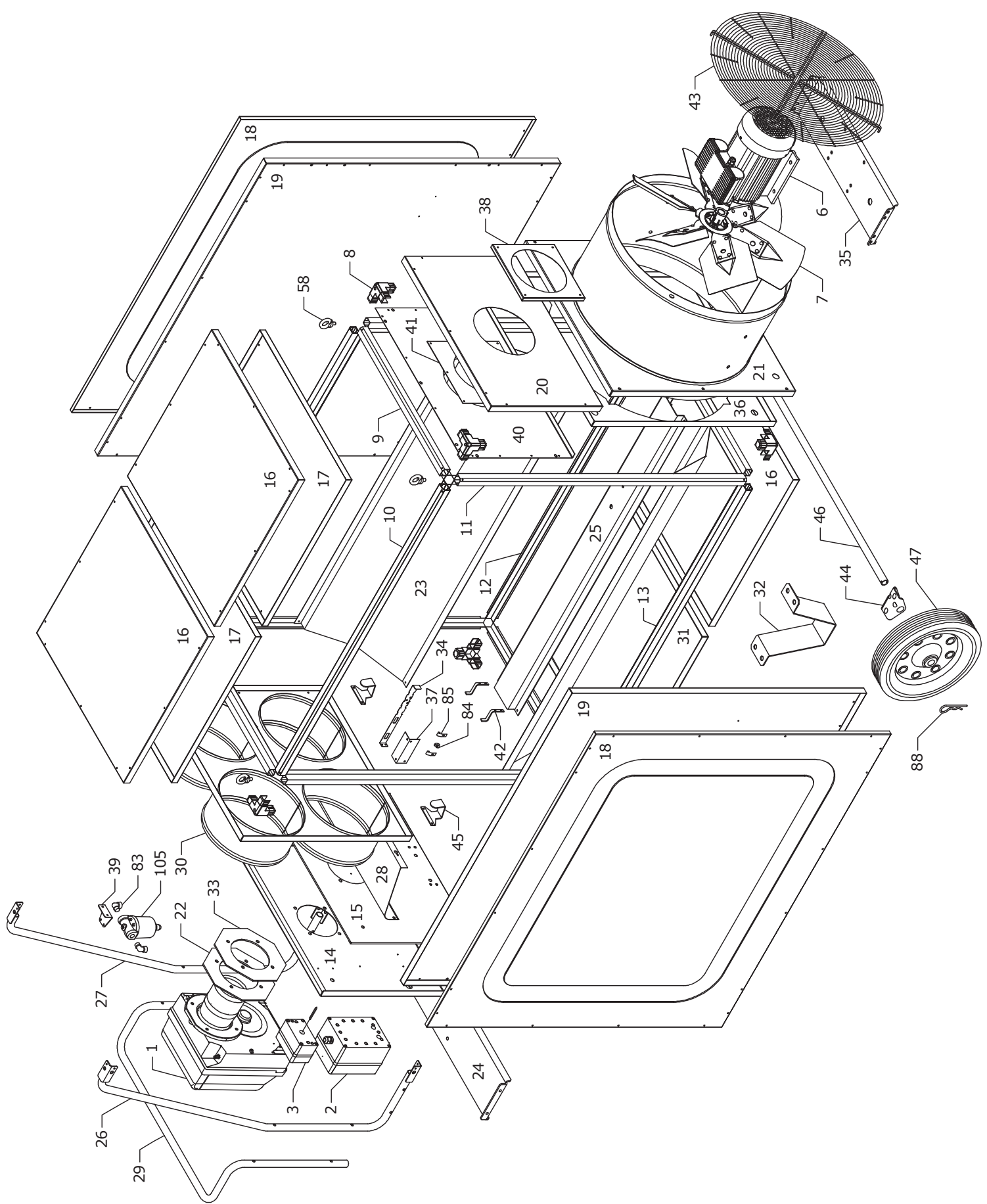
Pos.	Code NR	Description
1	4514.267	Fan Assembly Panel
2	4514.268	Fan Assembly Channel
3	4514.269	Motor Bracket
4	4514.310	3-Phase Motor, 4Kw
5	4514.312	Radial Fan At18/18S
6	4514.313	Assembling Flange
7	4514.333	Taper Bush 1210/28
8	4514.337	V-Belt Spa L=1282 mm
9	4514.340	Belt Pulley Spa 140X2mm
10	4514.607	Rubber Bushing D16
11	4514.713	Mount Of Motor Cover
12	4514.715	Motor Side Cover
13	4514.716	Frame Motor Cover
14	4514.717	Front Of Motor Cover
15	4514.725	Fan Grill Cover - Full
16	4514.726	Fan Grill Cover - Cut
17	4514.839	Footer Oscillating M10X68mm
18	4517.130	Belt Pulley
19	4517.133	Taper Bush Tb2012/25
20	4518.115	Base For Footer Oscillating

BV 690 FS FT MODEL 2014

UNIT 1

ILLUSTRATED PARTS BREAKDOWN

From Serial Number: 22934000126



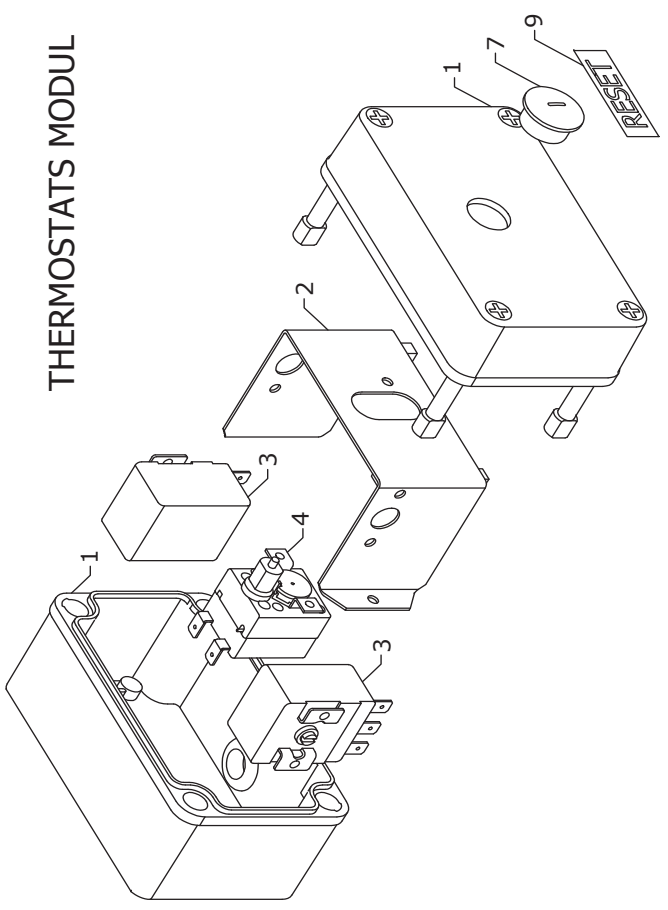
BV 690 FS FT MODEL 2014

UNIT 2

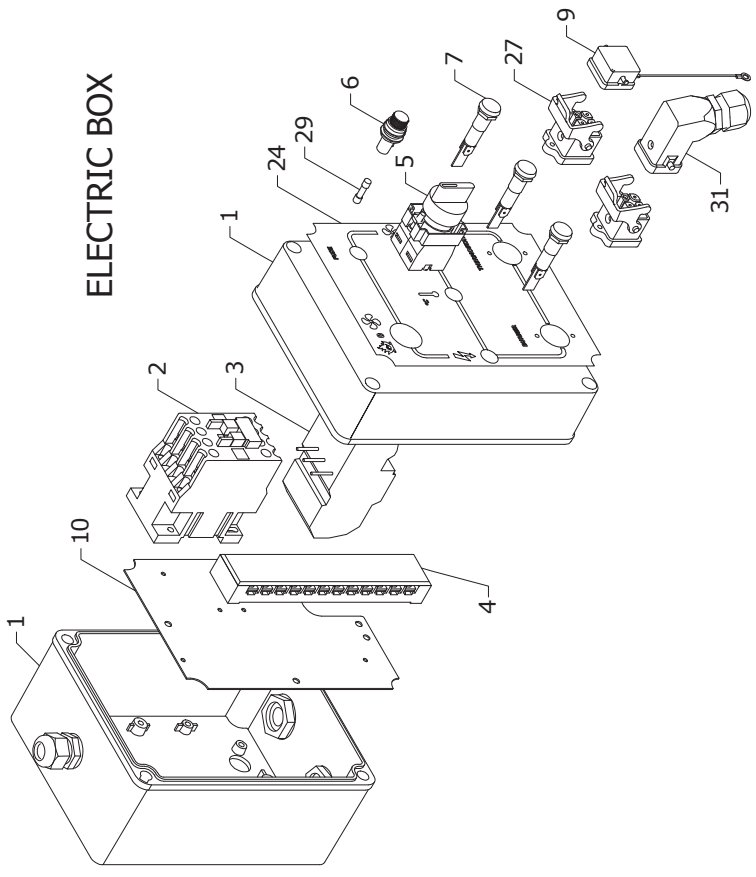
ILLUSTRATED PARTS BREAKDOWN

From Serial Number: 22934000126

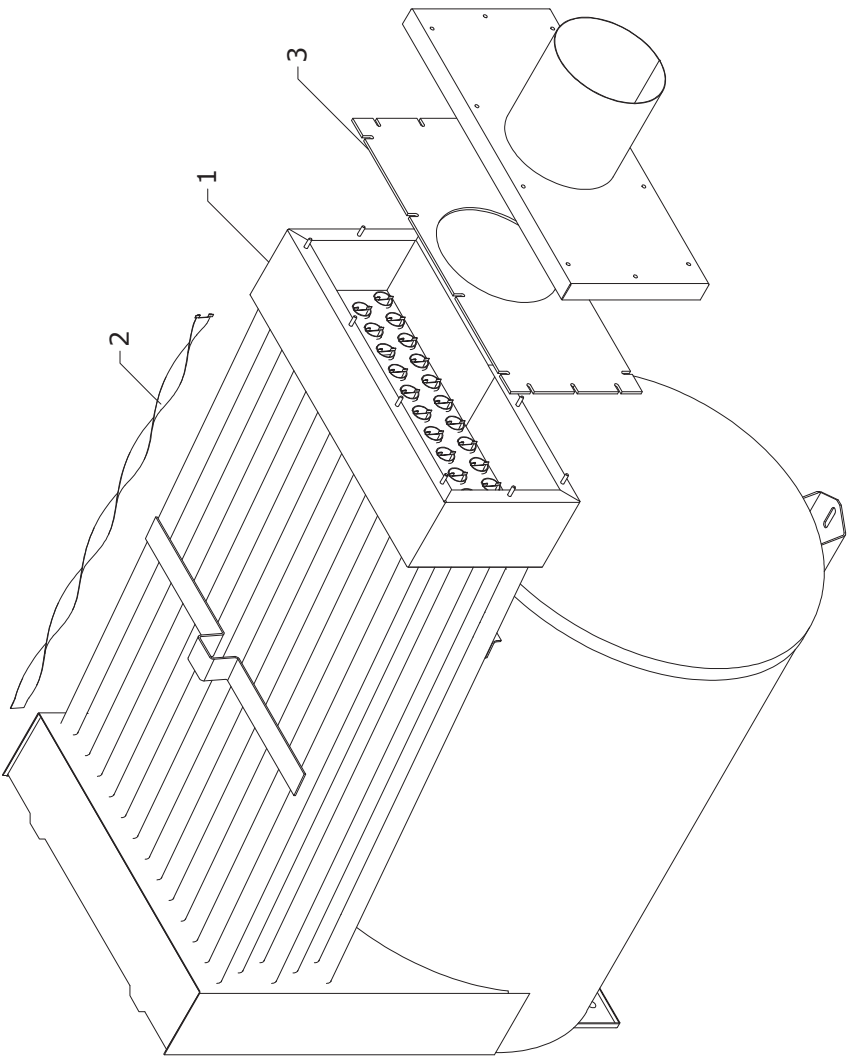
THERMOSTATS MODUL



ELECTRIC BOX



COMBUSTION CHAMBER



Pos.	Code NR	Description
		BV 690 FS
1	4514.304	OIL BURNER RG4F (Nozzle 4.5GPH 60°W)
2	4240.106	ELECTRIC BOX BV690FS A1
3	4240.021	THERMOSTATS MODUL BV/GREEN A1
6	5269.301	ELECTRIC MOTOR 2,2KW 230V~ 1430RPM IP55 (H=100MM)
7	5269.008	AXIAL FAN FI650/350 6-BLADE (HUB 28X60)
8	4240.004	3-WAY CORNER 30X25X1,75
9	4240.005	FRAME PROFILE 30X25X1,75 - 690
10	4240.006	FRAME PROFILE 30X25X1,75 - 1381
11	4240.007	FRAME PROFILE 30X25X1,75 - 1200
12	4240.037	FRAME PROFILE 30X25X1,75 - 1381 DL
13	4240.038	FRAME PROFILE 30X25X1,75 - 1381 DR
14	4240.024	BURNER EXTERNAL PANEL BV690 A1
15	4240.034	INTERNAL FRONT HEAT SHIELD BV690 A1
16	4514.162	UPPER EXTERNAL PANEL BV690
17	4514.163	UPPER INTERNAL PANEL 690
18	4514.164	LATERAL EXTERNAL PANEL BV690
19	4514.165	LATERAL INTERNAL PANEL 690
20	4514.166	CHIMNEY PANEL BV690
21	4514.798	FAN PANEL D650
22	4514.168	UNIVERSAL PLATE
23	4514.172	DEFLECTOR - AIR DIRECTION SHEET 690
24	4514.173	ROTATING WHEEL SUPPORT 690
25	4514.175	SUPPORTING BEAM BV690
26	4514.179	LEFT BURNER PROTECTION BV690
27	4514.180	RIGHT BURNER PROTECTION BV690
28	4514.182	BURNER COVER BV690
29	4514.212	HANDLE BV690F
30	4514.238	4-WAY OUTLET 4X320-2X5X12
31	4514.281	EXTERNAL DOWN PANEL I BV690
32	4514.282	FRONT BASE BV690
33	4514.616	PLATE SEAL
34	4514.711	BRACKET FOR CAPILLARIES BV
35	4514.792	BASE FOR MOTOR D650 (H100MM)
36	4514.793	HEAT SHIELD FOR INLET D650
37	4517.152	COVER OF CAPILLARYS BV
38	4517.784	FLANGE COVER CHIMNEY 200MM BV
39	4517.785	SUPPORT FOR OIL FILTER WITH PREHEATER
40	4518.106	HEAT SHIELD FOR CHIMNEY BV690
41	4518.107	PLATE FOR FIXING CHAMBER (Ø200)
42	4518.108	BURNER STABILIZER BV690
43	4518.198	PROTECTION GRILL BV690F INTERNAL
44	4518.199	SUPPORT FOR WHEEL AXLE FI25X28
45	4032.535	CABLE HANGER BV
46	4514.183	AXLE BV690
47	5269.401	METAL RUBBER WHEEL BLACK Ø380
58	4240.015	LIFTING EYE BOLT M10 X 17 - A1J
84	4510.855	BAND CLIP 06-11 5
85	4510.872	FITTING THE CAPILLARY TUBE FI 6
88	4514.845	SPRING COTTERS OF A BOLT D25
83	4031.581	CONNECTION 3/8"
105	4031.120	OIL FILTER – PREHEATER
		BV 690 FT
2	4240.108	ELECTRIC BOX BV690FT A1
6	5269.307	ELECTRIC MOTOR 2,2KW 380V 50Hz 5,16A 1410RPM IP54 F

4240.021 THERMOSTATS MODUL BV/GREEN A1

Pos.	Code NR	Description
1	4240.047	PLASTIC ENCLOSURE 130X80X85 A1
2	4240.051	THERMOSTAT SUPPORT A1
3	4240.045	CAPILLARY THERMOSTAT 16A/250V 27,5°C - 87,5°C
4	4240.044	OVER-HEAT THERMOSTAT 16A/250V 90°C-110°C
7	4240.049	HOLE COVER M20X1,5
9	4514.552	LABEL RESET 50X15

4240.106 ELECTRIC BOX BV 690 FS A1

Pos.	Code NR	Description
1	4240.020	ENCLOSURE BV/GREEN 150X200X130
2	4240.008	CONTACTOR 3P 240V 50/60HZ ~ 7,5KW 1NO
3	4240.041	THERMAL RELAY 12-18A
4	4240.016	TERMINAL BLOCK 25A/600V 12T 0.5-2.5 ²
5	4240.009	SWITCH 3P (NO) 415V 10A
6	4240.010	FUSE HOLDER 5X20-12 10A 250V
7	4514.415	LIGHT INDICATOR 230V IP44 D9,5
9	4260.168	CAP COMPLETE WITH PIN 2-3
10	4240.018	ELECTRIC COMPONENTS PLATE SK 1
24	4240.042	LABEL ELECTRIC BOX BV
27	4514.611	SOCKET CASE
29	4240.011	FUSE 5X20 5A 250V
31.1	5247.310	PLUG COVER HEAVY DUTY CONNECTOR ANGULAR
31.2	5247.313	PLASTIC CABLE GLAND M20
31.3	4514.405	MALE INSERT 3P+PE

4240.108 ELECTRIC BOX BV 690 FT A1

Pos.	Code NR	Description
3	5269.306	THERMAL RELAY 4-6A

4240.107 COMBUSTION CHAMBER 690 A1 COMPLETE

Pos.	Code NR	Description
1	5269.011	COMBUSTION CHAMBER 690 A1
2	4517.786	TURBULISER 690 NEW
3	4514.619	FLUE CHAMBER SEAL BV690

MODEL BV 690 FS

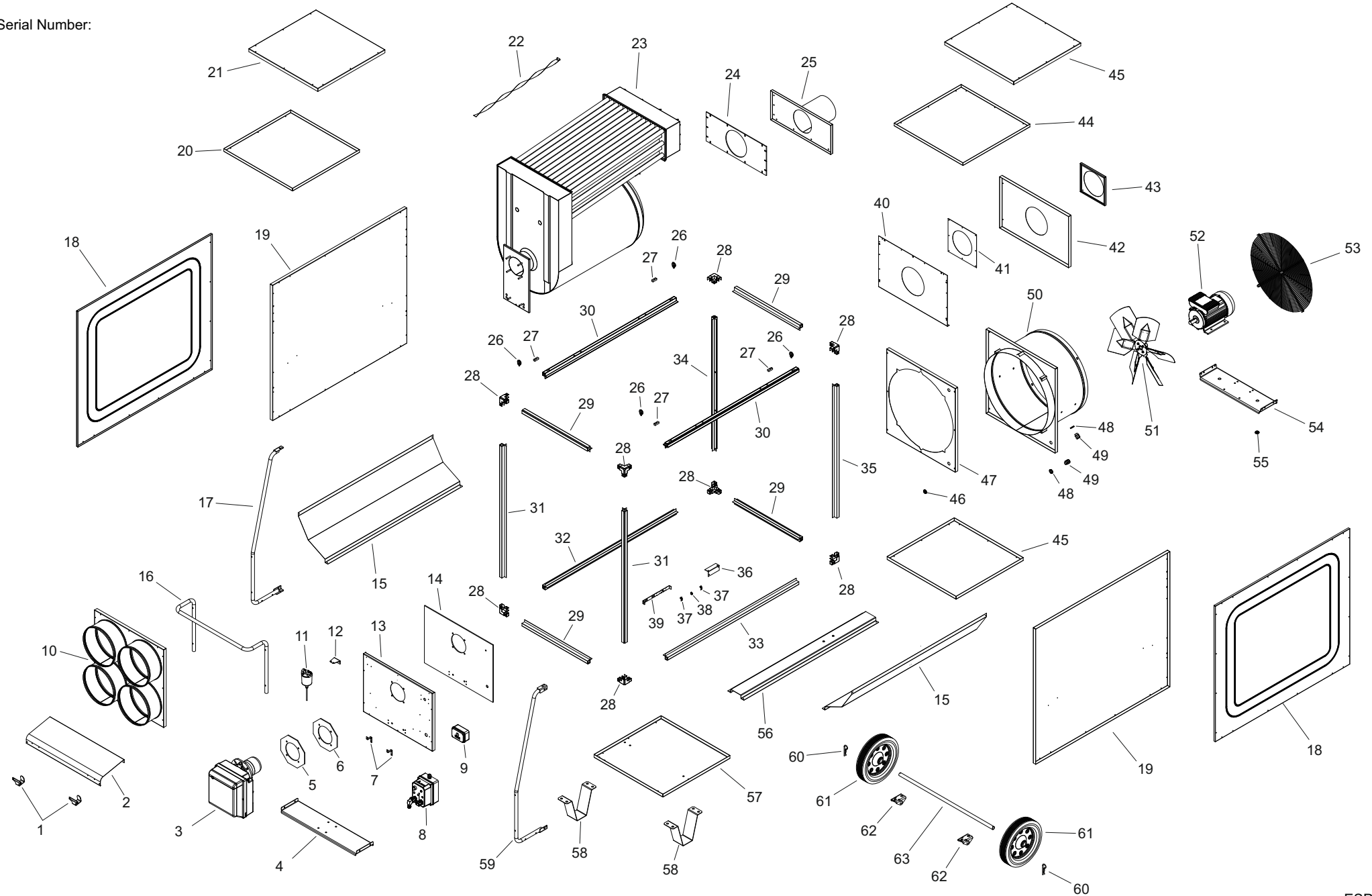
UNIT 1

ILLUSTRATED PARTS BREAKDOWN

From Serial Number: 12937000053

Rev.B - Sep. 2017

Until Serial Number:



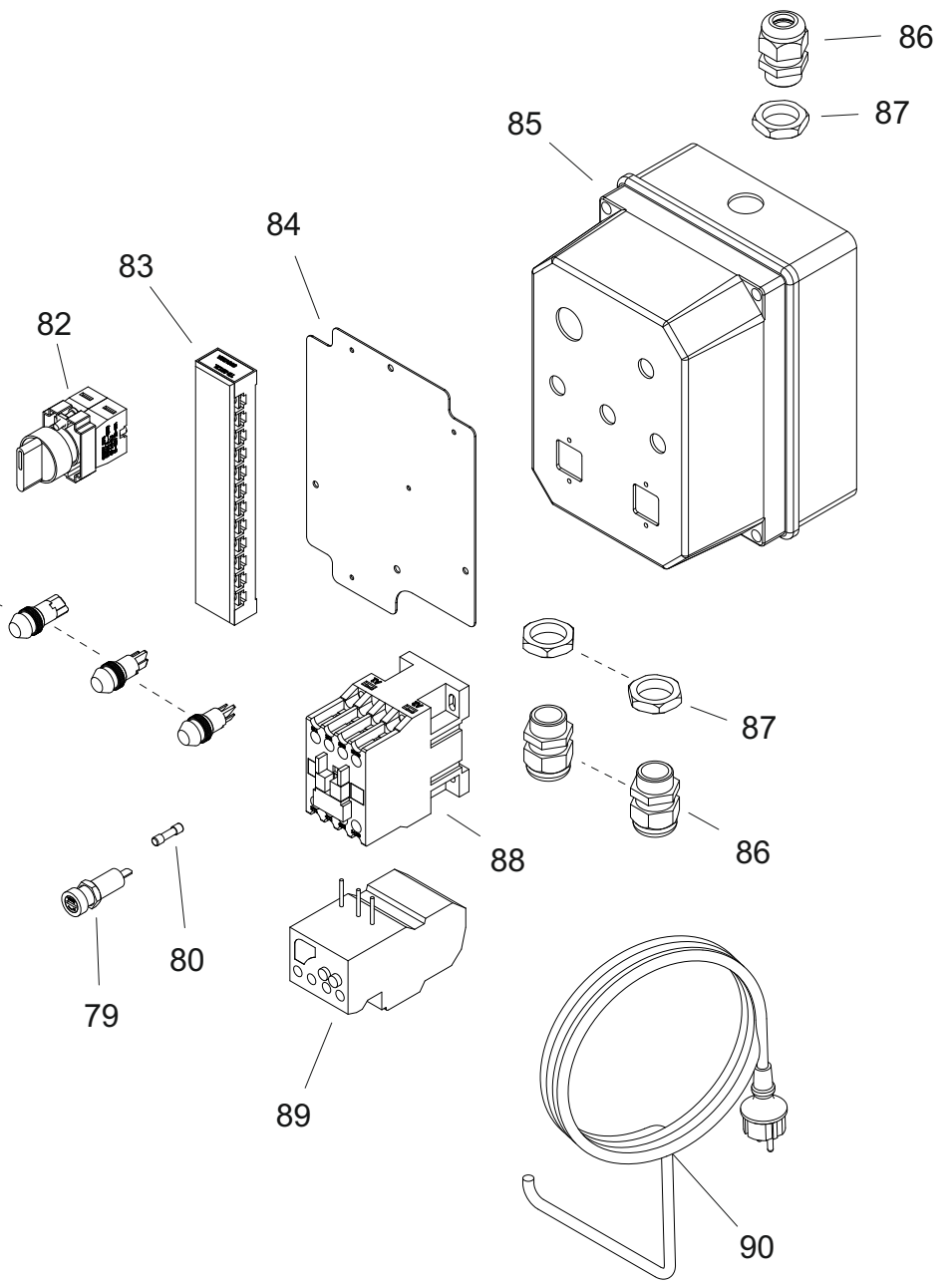
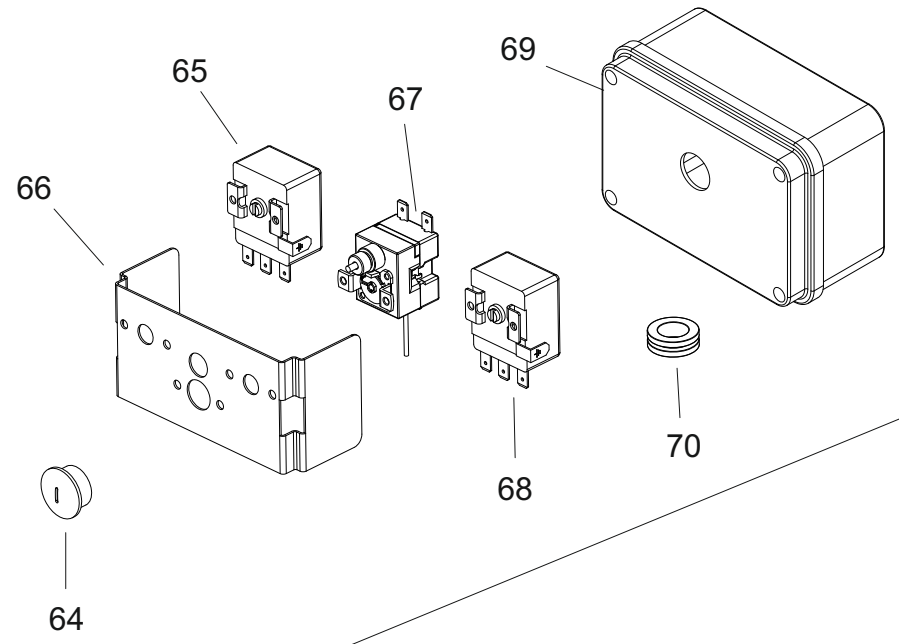
MODEL BV 690 FS

UNIT 2

ILLUSTRATED PARTS BREAKDOWN

THERMOSTAT BOX

CONTROL BOX



MODEL BV 690 FS

UNIT 2

PARTS LIST

Pos.	Code NR	Description	Rev. B - Sep. 2017
1	4032.535	WIRES BRACKET	
2	4514.182	UPPER BURNER PROTECTION	
3	4514.304	BURNER	
4	4514.173	LOWER BURNER PROTECTION	
5	4514.168	BURNER PLATE	
6	4514.616	BURNER INSULATION PLATE	
7	4518.108	BURNER STABILIZERS	
8	4240.197	CONTROL BOX	
9	4240.178	THERMOSTAT BOX	
10	4514.238	4 WAY OUTLET PANEL	
11	4031.120	PRE-HEATED FILTER	
12	4517.785	FILTER BRACKET	
13	4240.196	FRONTAL PANEL	
14	4240.195	INSULATION PLATE	
15	4514.172	AIR DEFLECTOR	
16	4514.212	HANDLE	
17	4514.180	LEFT PROTECTION	
18	4514.164	EXTERNAL LATERAL PANEL	
19	4514.165	INTERNAL LATERAL PANEL	
20	4514.163	INTERNAL PANEL	
21	4514.162	EXTERNAL PANEL	
22	4517.786	COMBUSTION CHAMBER TURBULIZER	
23	4517.770	COMBUSTION CHAMBER	
24	4514.619	COMBUSTION CHAMBER INSULATION PLATE	
25	4514.206	EXIT FUMES PANEL	
26	4514.801	EYEBOLT	
27	4514.245	THREADED BLOCK	
28	4240.191	ANGULAR PROFILE	
29	4240.219	HORIZONTAL SHORT PROFILE	
30	4240.194	HORIZONTAL UPPER PROFILE	
31	4240.220	VERTICAL FRONT PROFILE	
32	4240.218	LOWER LEFT PROFILE	
33	4240.217	LOWER RIGHT PROFILE	
34	4240.222	VERTICAL BACK LEFT PROFILE	
35	4240.221	VERTICAL BACK RIGHT PROFILE	
36	4517.152	THERMOSTAT BULB PROTECTION	
37	4510.872	THERMOSTAT BULB CLIP	
38	4510.855	THERMOSTAT BULB CLAMP	
39	4514.711	THERMOSTAT BULB BRACKET	
40	4518.106	BACK INSULATION PLATE	
41	4518.107	CHAMBER COMPENSATION PLATE	
42	4514.166	REAR PANEL	
43	4517.784	CHIMNEY PANEL	
44	4514.163	INTERNAL PANEL	
45	4514.162	EXTERNAL PANEL	
46	4514.607	WIRE PROTECTION	
47	4514.793	INTERNAL FAN PANEL	
48	4034.230	NUT	
49	4034.229	STRAIN RELIEF	
50	4514.798	FAN PANEL	

MODEL BV 690 FS

UNIT 2

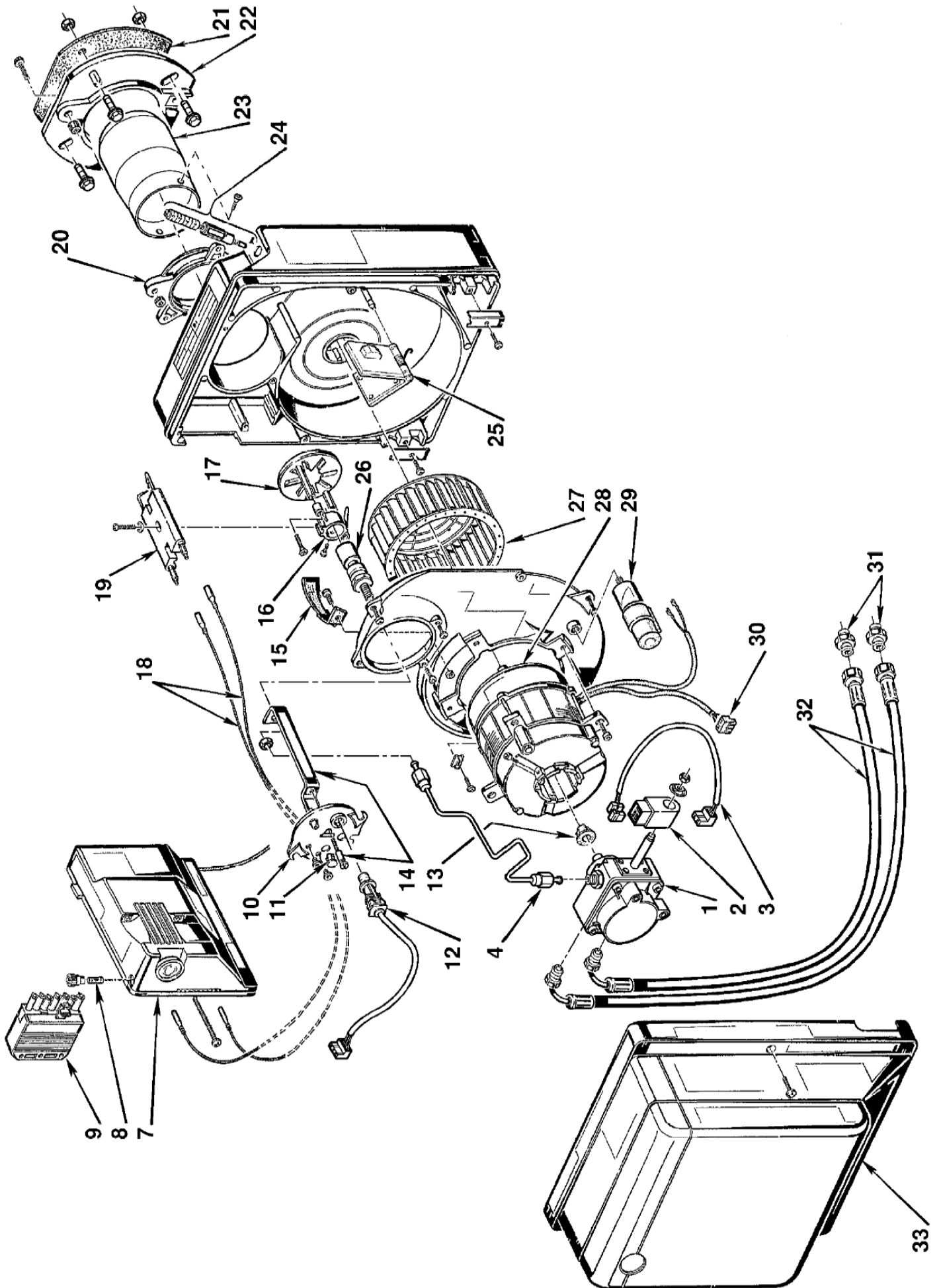
PARTS LIST

Pos.	Code NR	Description	Rev. B - Sep. 2017
51	5269.008	FAN	
52	5269.301	MOTOR	
53	4518.198	GRILLE	
54	4514.792	MOTOR BRACKET	
55	4514.607	WIRE PROTECTION	
56	4514.175	SUPPORTING BEAM	
57	4514.281	LOWER EXTERNAL PANEL	
58	4514.282	FOOT	
59	4514.179	RIGHT PROTECTION	
60	4514.845	COTTER PIN	
61	5269.401	WHEEL	
62	4518.199	WHEELS AXLE BRACKET	
63	4514.183	WHEELS AXLE	
64	4240.049	CAP	
65	4240.289	TSS THERMOSTAT	
66	4240.180	THERMOSTAT BRACKET	
67	4240.290	AUTOMATIC RESET THERMOSTAT	
68	4240.288	TV THERMOSTAT	
69	4240.174	THERMOSTATS BOX	
70	4101.151	CABLE PROTECTION	
71	4160.651	STRAIN RELIEF	
72	4240.275	ANGULAR MOBILE COVER	
73	4161.401	CONNECTION SOCKET	
74	4161.400	CONNECTION PLUG	
75	4514.611	THERMOSTAT SOCKET	
76	4240.187	CONTROL BOX LABEL	
77	4162.467	THERMOSTAT CAP	
79	4240.010	FUSE HOLDER	
80	4240.011	FUSE	
81	4117.058	WARNING LIGHT	
82	4240.009	SWITCH	
83	4240.016	TERMINAL BOARD	
84	4240.186	PLATE	
85	4240.183	CONTROL BOX	
86	4150.528	STRAIN RELIEF	
87	4100.656	LOCKNUT	
88	4240.138	CONTACTOR	
89	(& (\$"\$(%	THERMAL RELAY	
90	5247.319	POWER CORD	

RG 2F / RG 3F / RG 4F

UNIT 1

ILLUSTRATED PARTS BREAKDOWN



Pos.	RG2 F	RG3 F	RG4 F	Description
1	4614.076	4614.027	4614.076	OIL PUMP
1.1	4614.025	4614.025	4614.025	NEEDLE VALVE
1.2	4614.028	4614.028	4614.028	OIL PUMP FILTER
2	4614.086	4614.086	4614.086	COIL
3	4614.022	4614.022	4614.022	LEAD
4	4614.117	4614.031	4614.031	TUBE
7	4614.010	4614.010	4614.010	CONTROL BOX 552SE
8	4614.018	4614.018	4614.018	FUSE
9	4614.001	4614.001	4614.001	7 PIN PLUG
10	4614.118	4614.011	4614.011	BURNER DISC
11	4614.032	4614.032	4614.032	VIEWING PORT
12	4614.029	4614.029	4614.029	PHOTOCELL
13	4614.021	4614.021	4614.021	JOINT
14	4614.119	4614.005	4614.005	BRACKET AND SCREW
15	4614.097	4614.030	4614.030	SUCTION DUCT
16	4614.013	4614.013	4614.013	DIFFUSER DISC SUPPORT
17	4614.120	4614.012	4614.012	DIFFUSER DISC
18	4614.020	4614.020	4614.020	HIGH VOLTAGE LEAD
19	4614.014	4614.014	4614.014	ELECTRODE ASSEMBLY
20	4614.121	4614.008	4614.008	COLLAR
21	4614.112	4614.019	4614.019	GASKET
22	4614.122	4614.016	4614.016	FLANGE
23	4614.123	4614.004	4614.077	BLAST TUBE
24	4614.124	4614.003	4614.078	AIR DAMPER REGULATOR
25	4614.125	4614.002	4614.002	AIR DAMPER
26	4614.026	4614.026	4614.026	NOZZLE HOLDER
27	4614.090	4614.015	4614.015	FAN
28	4614.126	4614.023	4614.023	MOTOR
29	4614.127	4614.006	4614.006	CAPACITOR 6,3 µF
30	4614.024	4614.024	4614.024	MOTOR SOCKET
31	4614.009	4614.009	4614.009	CONNECTOR
32	4614.017	4614.017	4614.017	FLEXIBLE OIL LINE
33	S/R	S/R	S/R	COVER
not shown	4031.081	-	-	NOZZLE 1.50, 60° S
not shown	-	4515.917	-	NOZZLE 2.50, 60° B
not shown	-	-	4515.916	NOZZLE 4.50, 60° B
	4514.317	-	-	COMPLETE OIL BURNER RG2 F
	-	4514.302	-	COMPLETE OIL BURNER RG3 F
	-	-	4514.304	COMPLETE OIL BURNER RG4 F

S/R = Parts available on special request only