

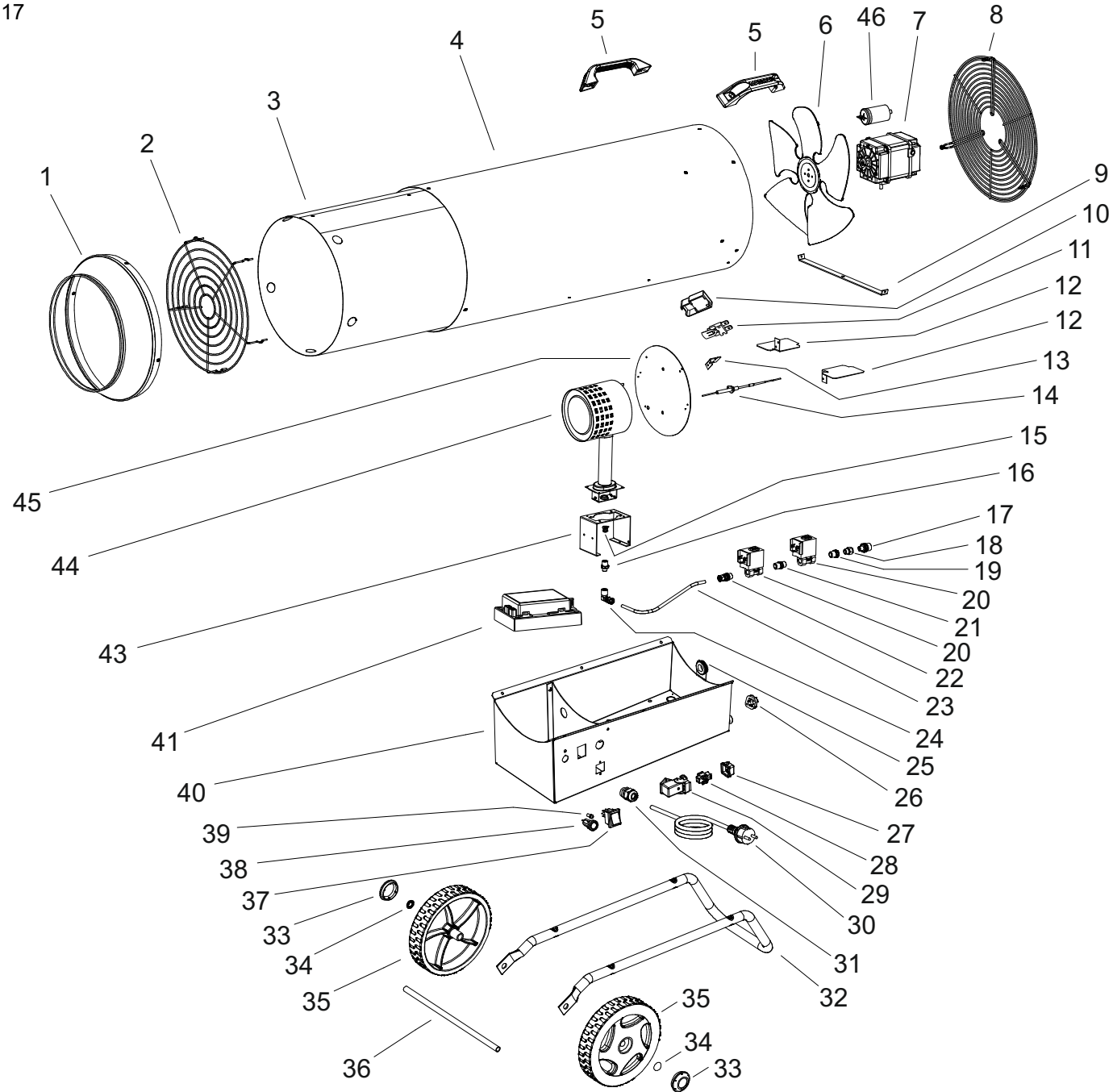
MODEL BLP 103ET

UNIT 1

ILLUSTRATED PARTS BREAKDOWN

Rev.A - Nov. 2016

From Serial Number : 03036001417



MODEL BLP 103ET

UNIT 2

PARTS LIST

Pos.	Code N°	Description	Rev.A - Nov. 2016
1	4162.759	OUTLET CONE	
2	4160.759	OUTLET GRID	
3	4162.758	COMBUSTION CHAMBER	
4	4162.756	COVER	
5	4162.934	PLASTIC HANDLE	
6	4160.959	FAN	
7	4160.047	ELECTRIC MOTOR	
8	4160.758	INLET GRID	
9	4161.012	ELECTRIC MOTOR BRACKET	
10	4162.909	AIR PROBE COVER	
11	4162.910	AIR PROBE	
12	4162.816	AIR FLAP	
13	4106.202	AIR PROBE BRACKET	
14	4160.237	IGNITION ELECTRICAL FOLDER	
15	4160.770	GAS NOZZLE	
16	4160.768	SUPPORT GAS NOZZLE	
17	4160.048	GAS INLET NOZZLE	
18	4161.501	REDUCTION NIPPLES	
19	4160.964	REDUCTION NIPPLES	
20	4160.963	ELECTROVALVE	
21	4161.095	REDUCTION NIPPLES	
22	4160.962	REDUCTION NIPPLES	
23	4162.772	COPPER TUBE	
24	4160.967	ELBOW	
25	4160.646	GROMMET	
26	4161.854	BLOCK FOR NOZZLE	
27	4162.467	COMPLETE PLUG-IN	
28	4161.400	CONNECTION SOCKET	
29	4160.647	ANGULAR FIX CASE	
30	4160.539	POWER CORD	
31	4150.528	STRAIN RELIEF	
32	4162.777	FRAME	
33	4110.129	WHEEL HUB	
34	4110.162	WASHER	
35	4110.084	WHEEL	
36	4162.779	WHEEL AXLE	
37	4160.637	SWITCH	
38	4160.430	RESET SWITCH	
39	4106.245	LED	
40	4106.341	BASE	
41	4106.343	ELECTRONIC PC BOARD	
43	4162.760	BURNER SUPPORT	
44	4162.771	GAS BURNER	
45	4106.218	PLATE BURNER	
46	4106.276	CAPACITOR	

RECOMMENDED SPARE PARTS

Pos.	Code NR	Description	Rev.A - Nov. 2016
7	4160.047	ELECTRIC MOTOR	
11	4162.910	AIR PROBE	
14	4160.237	IGNITION ELECTRICAL FOLDER	
20	4160.963	ELECTROVALVE	
41	4106.343	ELECTRONIC PC BOARD	

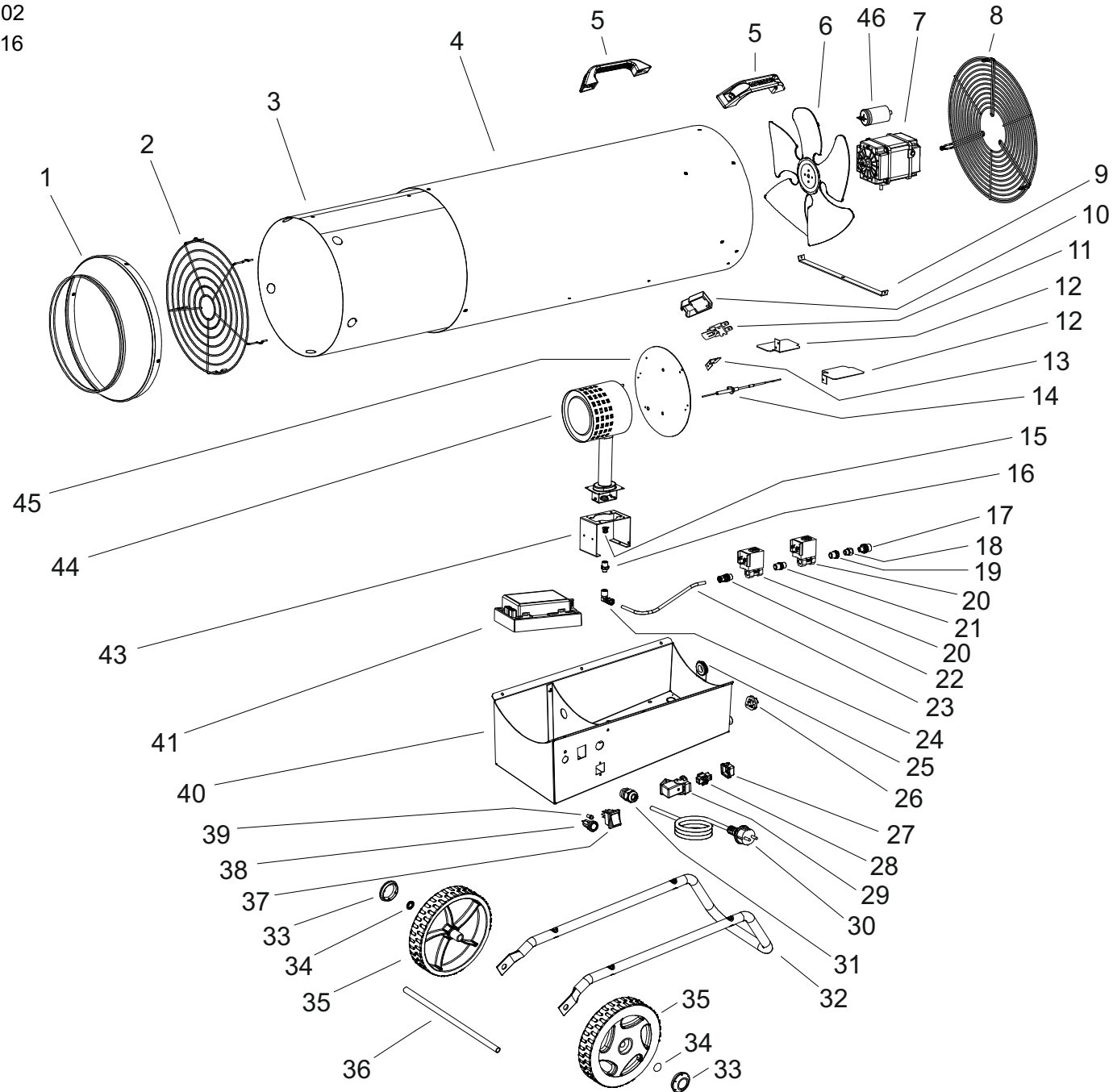
MODEL BLP 103ET

UNIT 1

ILLUSTRATED PARTS BREAKDOWN

Rev.- - July 2014

From Serial Number : 03034018402
Until Serial Number : 03036001416



MODEL BLP 103ET

UNIT 2

PARTS LIST

Pos.	Code N°	Description	Rev.- - July 2014
1	4162.759	OUTLET CONE	
2	4160.759	OUTLET GRID	
3	4162.758	COMBUSTION CHAMBER	
4	4162.756	COVER	
5	4162.934	PLASTIC HANDLE	
6	4160.959	FAN	
7	4160.047	ELECTRIC MOTOR	
8	4160.758	INLET GRID	
9	4161.012	ELECTRIC MOTOR BRACKET	
10	4162.909	AIR PROBE COVER	
11	4162.910	AIR PROBE	
12	4162.816	AIR FLAP	
13	4106.202	AIR PROBE BRACKET	
14	4160.237	IGNITION ELECTRICAL FOLDER	
15	4160.770	GAS NOZZLE	
16	4160.768	SUPPORT GAS NOZZLE	
17	4160.048	GAS INLET NOZZLE	
18	4161.501	REDUCTION NIPPLES	
19	4160.964	REDUCTION NIPPLES	
20	4160.963	ELECTROVALVE	
21	4161.095	REDUCTION NIPPLES	
22	4160.962	REDUCTION NIPPLES	
23	4162.772	COPPER TUBE	
24	4160.967	ELBOW	
25	4160.646	GROMMET	
26	4161.854	BLOCK FOR NOZZLE	
27	4162.467	COMPLETE PLUG-IN	
28	4161.400	CONNECTION SOCKET	
29	4160.647	ANGULAR FIX CASE	
30	4160.539	POWER CORD	
31	4150.528	STRAIN RELIEF	
32	4162.777	FRAME	
33	4110.129	WHEEL HUB	
34	4110.162	WASHER	
35	4110.084	WHEEL	
36	4162.779	WHEEL AXLE	
37	4160.637	SWITCH	
38	4160.430	RESET SWITCH	
39	4106.245	LED	
40	4106.341	BASE	
41	4106.246	ELECTRONIC PC BOARD	
43	4162.760	BURNER SUPPORT	
44	4162.771	GAS BURNER	
45	4106.218	PLATE BURNER	
46	4106.276	CAPACITOR	

RECOMMENDED SPARE PARTS

Pos.	Code NR	Description	Rev.- - July 2014
7	4160.047	ELECTRIC MOTOR	
11	4162.910	AIR PROBE	
14	4160.237	IGNITION ELECTRICAL FOLDER	
20	4160.963	ELECTROVALVE	
41	4106.246	ELECTRONIC PC BOARD	