

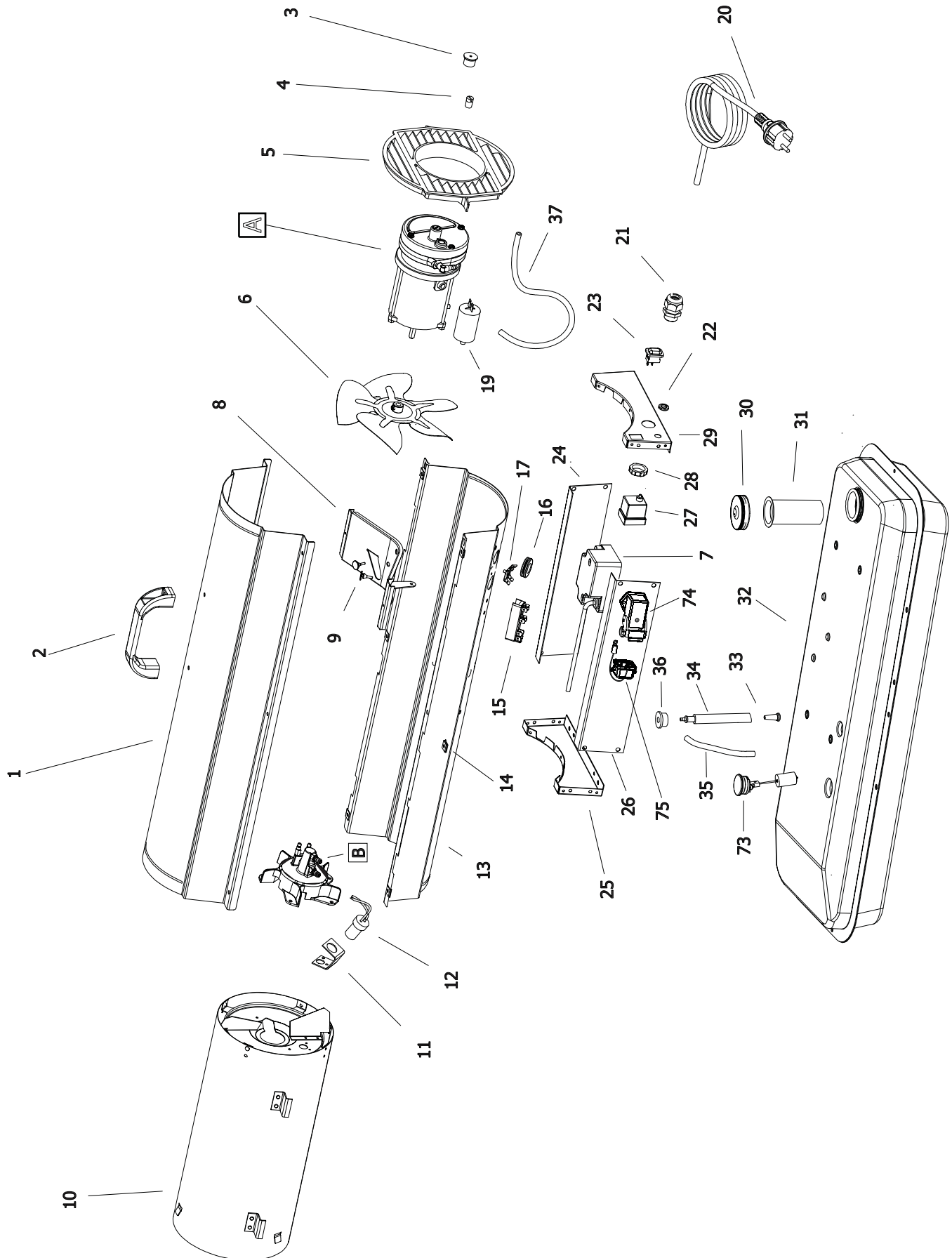
B 70 CED MODEL 2012

UNIT 1

ILLUSTRATED PARTS BREAKDOWN

From Serial Number: 32104294

Edizione 2012
Rev. B



B 70 CED MODEL 2012

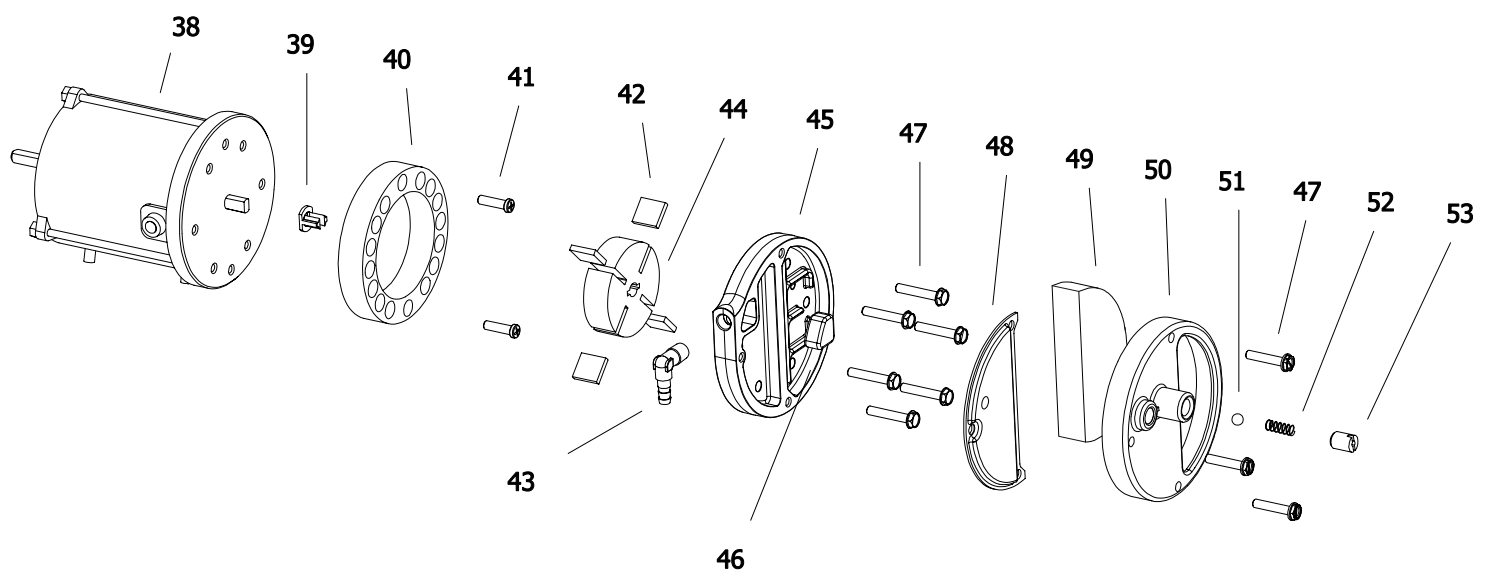
UNIT 2

ILLUSTRATED PARTS BREAKDOWN

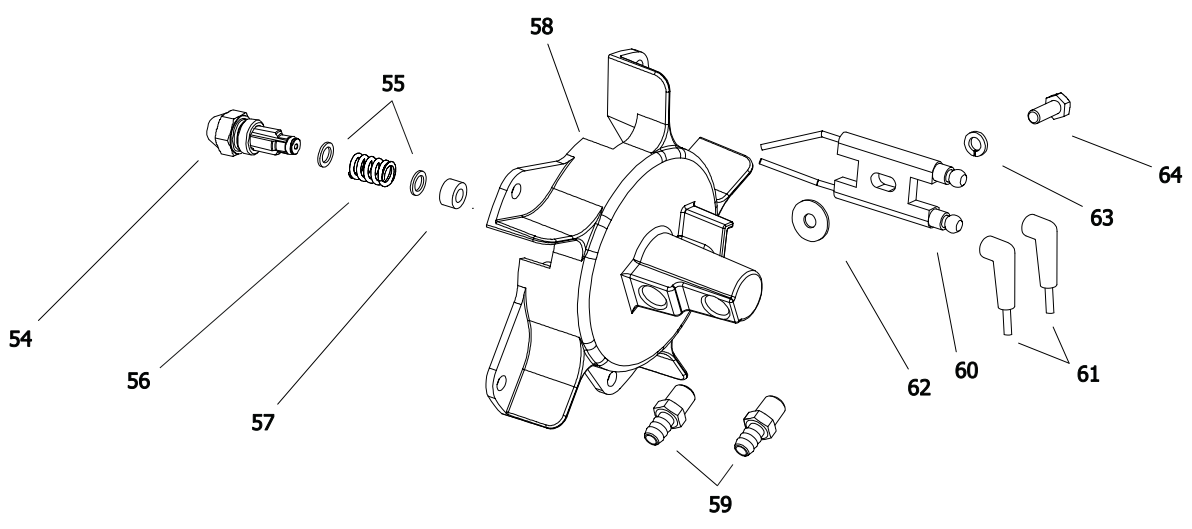
A

From Serial Number: 32104294

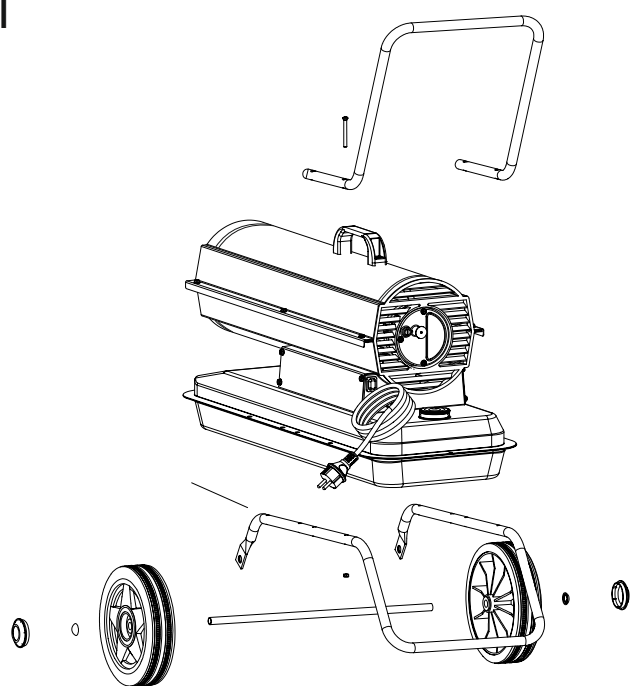
Rev. B - May 2012



B



4103.925 WHEEL KIT



| Pos. | Code NR | Description |
|-------------|----------------|--|
| 1 | 4110.121 | UPPER SHELL |
| 2 | 4162.893 | PLASTIC HANDLE |
| 3 | 4100.666 | COVER CAP |
| 4 | 4102.125 | PRESSURE GAUGE CAP |
| 5 | 4103.685 | FAN GUARD |
| 6 | 4100.662 | FAN |
| 7 | 4111.885 | ELECTRONIC IGNITOR |
| 8 | 4110.187 | MOTOR BRACKET |
| 9 | 4150.553 | BUMPER |
| 10 | 4104.090 | COMBUSTION CHAMBER |
| 11 | 4100.658 | PHOTOCELL BRACKET |
| 12 | 4110.564 | PHOTOCELL ASSEMBLY |
| 13 | 4110.535 | LOWER SHELL |
| 14 | 4104.170 | CLIP NUT |
| 15 | 4106.110 | TERMINAL BOARD |
| 16 | 4160.646 | CABLE PROTECTION |
| 17 | 4160.639 | RIVET POP |
| 19 | 4110.293 | CAPACITOR |
| 20 | 4110.451 | POWER CORD |
| 21 | 4150.528 | STRAIN RELIEF |
| 22 | 4109.592 | NUT |
| 23 | 4106.179 | ON/OFF SWITCH |
| 24 | 4110.560 | RIGHT PANEL |
| 25 | 4110.113 | FRONT FRAME BRACKET |
| 26 | 4110.560 | LEFT PANEL |
| 26 | 4110.794 | LEFT PANEL FROM SERIAL NUMBER 32117091 |
| 27 | 4104.196 | FLAME-OUT CONTROL |
| 28 | 4100.656 | LOCKNUT |
| 29 | 4110.514 | REAR FRAME BRACKET |
| 30 | 4103.891 | FUEL TANK CAP |
| 31 | 4105.292 | FUEL TANK FILTER |
| 32 | 4110.384 | FUEL TANK |
| 33 | 4110.356 | FUEL FILTER |
| 34 | 4110.391 | FUEL LINE |
| 35 | 4110.032 | FUEL LINE |
| 36 | 4100.541 | RUBBER BUSHING |

| Pos. | Code NR | Description |
|-------------|----------------|---|
| 37 | 4104.147 | AIR LINE |
| 38 | 4110.480 | MOTOR 1/8 HP |
| 39 | 4108.635 | INSERT |
| 40 | 4101.317 | PUMP BODY |
| 41 | 4108.588 | PUMP BODY SCREW |
| 42 | 4101.200 | BLADE |
| 43 | 4100.661 | BARB ELBOW |
| 44 | 4108.627 | ROTOR |
| 45 | 4109.724 | PUMP END COVER |
| 46 | 4109.716 | LINT FILTER |
| 47 | 4108.528 | SCREW/LOCKWASHER 4,8x25 |
| 48 | 4109.708 | OUTPUT FILTER |
| 49 | 4109.690 | INTAKE FILTER |
| 50 | 4109.674 | END COVER |
| 51 | 4108.379 | STEEL BALL |
| 52 | 4102.141 | PRESSURE RELIEF SPRING |
| 53 | 4102.133 | ADJUSTING SCREW |
| 54 | 4103.486 | NOZZLE |
| 55 | 4100.525 | WASHER |
| 56 | 4100.533 | NOZZLE SEAL SPRING |
| 57 | 4101.622 | NOZZLE SEAL SLEEVE |
| 58 | 4110.399 | BURNER HEAD BODY |
| 59 | 4104.118 | BARB FITTING |
| 60 | 4110.337 | BIFILAR ELECTRODES |
| 61 | 4111.831 | HT CABLE |
| 62 | 4110.394 | WASHER |
| 63 | 4110.393 | WASHER |
| 64 | 4110.363 | SCREW |
| 73 | 4260.006 | FUEL GAUGE |
| 74 | 4111.119 | THERMOSTAT SOCKET FROM SERIAL NUMBER 32117091 |
| 75 | 4162.467 | CAP FOR THERMOSTAT SOCKET FROM SERIAL NUMBER 32117091 |
| ... | 4103.925 | WHEEL KIT HD B35/70 |