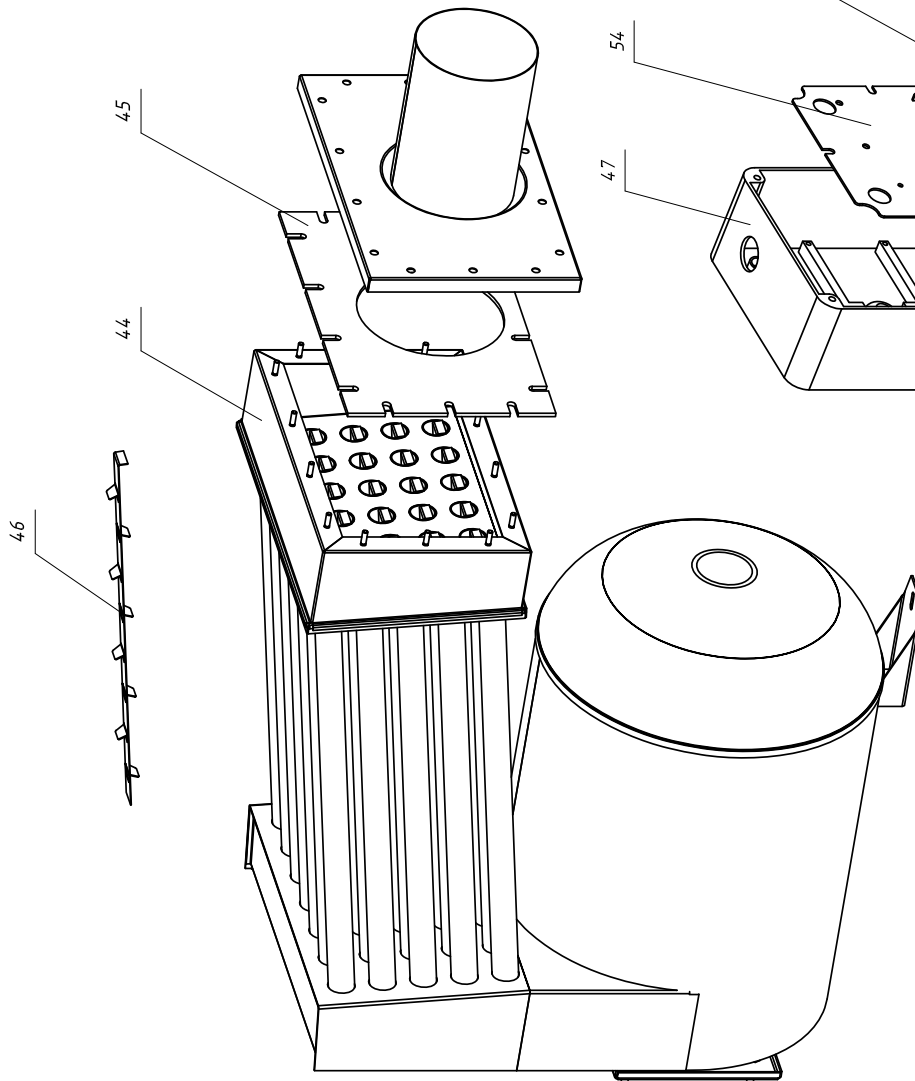
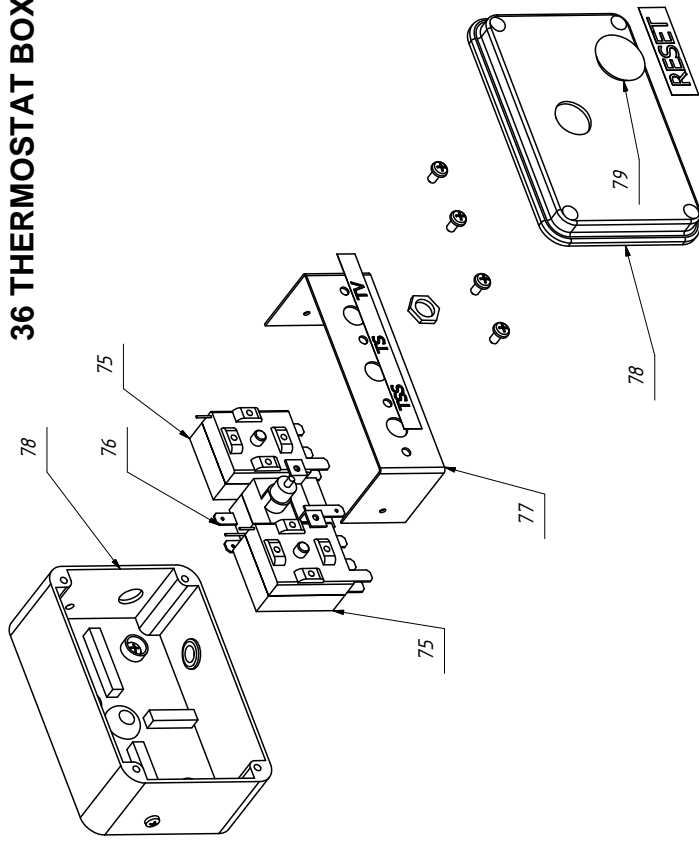
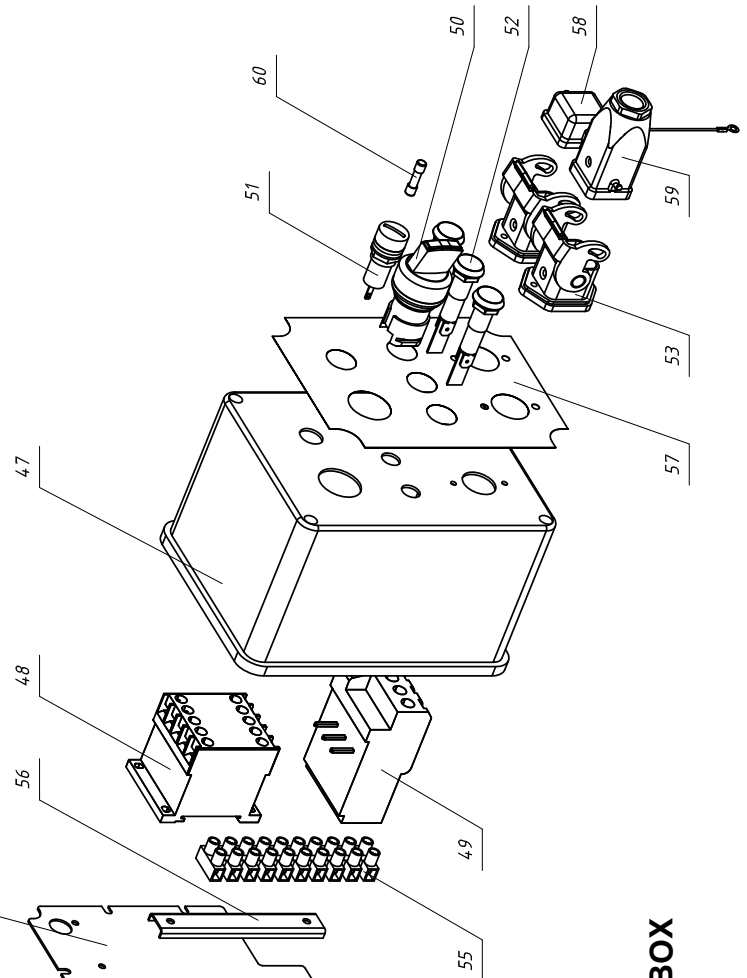


36 THERMOSTAT BOX



COMBUSTION CHAMBER



37 ELECTRIC BOX

Pos.	Code NR	Description
1	S/R	3 WAY CORNER FOR CHAMFERED PROFILE
2	S/R	CHAMFERED PROFILE FOR PANEL 25 L=800mm
3	S/R	CHAMFERED PROFILE FOR PANEL 25 L=470mm
4	S/R	CHAMFERED PROFILE FOR PANEL 25 L=830mm
5	S/R	SUPPORTING BEAM
6	S/R	EXTERNAL SIDE PANEL
7	S/R	EXTERNAL LOWER PANEL
8	S/R	EXTERNAL BURNER PANEL
9	S/R	INTERNAL SIDE PANEL
10	S/R	DEFLECTOR
11	S/R	CHIMNEY PANEL
12	S/R	INTERNAL FAN PANEL
13	4514.748	CHIMNEY COVER
14	4514.719	1-WAY OUTLET PANEL
15	4514.750	FRONT BASE
16	S/R	BASE SUPPORT
17	S/R	EXTERNAL UPPER PANEL I
18	S/R	INTERNAL UPPER PANEL I
19	S/R	EXTERNAL UPPER PANEL II
20	S/R	INTERNAL UPPER PANEL II
21	4514.756	AXLE
22	4514.758	BURNER PLATE
23	4514.626	BURNER ISOLATION SEAL
24	S/R	MOTOR SUPPORT
25	4514.760	GRILL
26	S/R	FAN PANEL
27	4514.625	WHELL D250
28	4514.763	LEFT PROTECTION
29	4514.764	RIGHT PROTECTION
30	4514.765	HANDLE
31	S/R	BURNER SCREEN
32	S/R	FRONT HEAT SHIELD
33	4514.161	SUPPORT FOR OIL PRE-HATER

Pos.	Code NR	Description
34	4514.321	MOTOR 1~0,75KW 230V
35	4514.317	OIL BURNER RG2F
36	4514.430	THERMOSTAT BOX
37	4514.403	ELECTRIC BOX
38	4514.128	HUB BRACKET
39	4514.803	FIXING WASHER FOR SHAFT
40	4514.801	LIFTING EYE BOLT M8
41	4514.316	AXIAL FAN BLADE
42	4031.120	OIL PRE-HEATER
43	4514.711	BRACKET FOR CAPILLARY
44	4514.761	COMBUSTION CHAMBER
45	4514.627	EXIT SMOKE CHAMBER SEAL
46	4514.757	BRACKET FOR TURBULENCE
47	4514.629	PLASTIC BOX 150x110x140
48	4514.416	CONTACTOR 4kW 400V
49	4514.418	THERMAL RELAY 4-6A
50	4514.402	SWITCH 3P
51	4514.400	FUSE HOLDER
52	4514.415	INDICATOR LIGHT 230V
53	4032.108	KIT SOCKET 4 PIN
54	4514.794	ELECTRIC BOX PLATE
55	4514.404	TERMINAL BLOCK 12T 6 ²
56	4514.795	DISTANCE TERMINAL BLOCK
57	4514.553	LABEL
58	4162.467	CAP FOR THERMOSTAT SOCKET
59	4111.118	KIT PLUG 4 PIN
60	4514.409	FUSE 5x20 3,15A 250V
75	4514.422	CAPILLARY THERMOSTAT 16A/250V
76	4514.419	OVER-HEAT THERMOSTAT 16A/250V 110°C
77	4514.799	THERMOSTAT SUPPORT
78	4514.623	PLASTIC BOX 120x80x50
79	4514.624	BUTTON fi19mm

S/R = Parts available on special request only

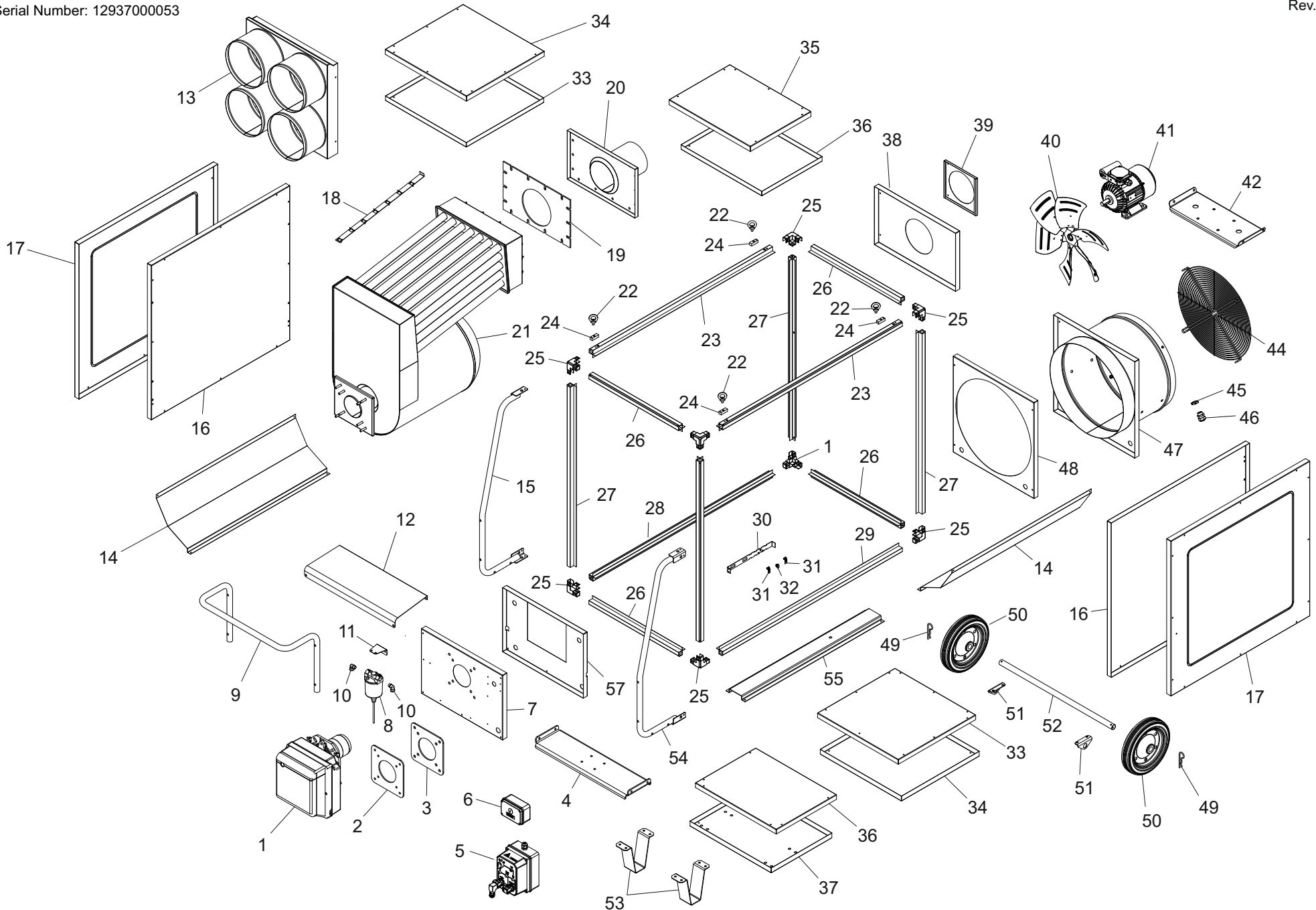
MODEL BV 310 FS

UNIT 1

ILLUSTRATED PARTS BREAKDOWN

From Serial Number: 12937000053

Rev.B- Sep. 2017

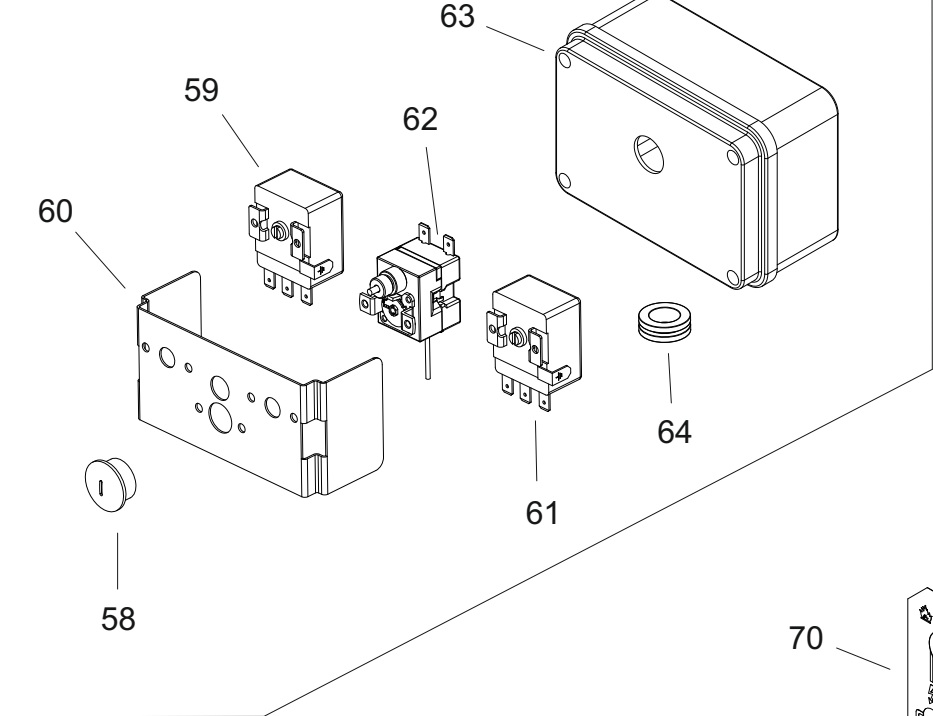


MODEL BV 310 FS

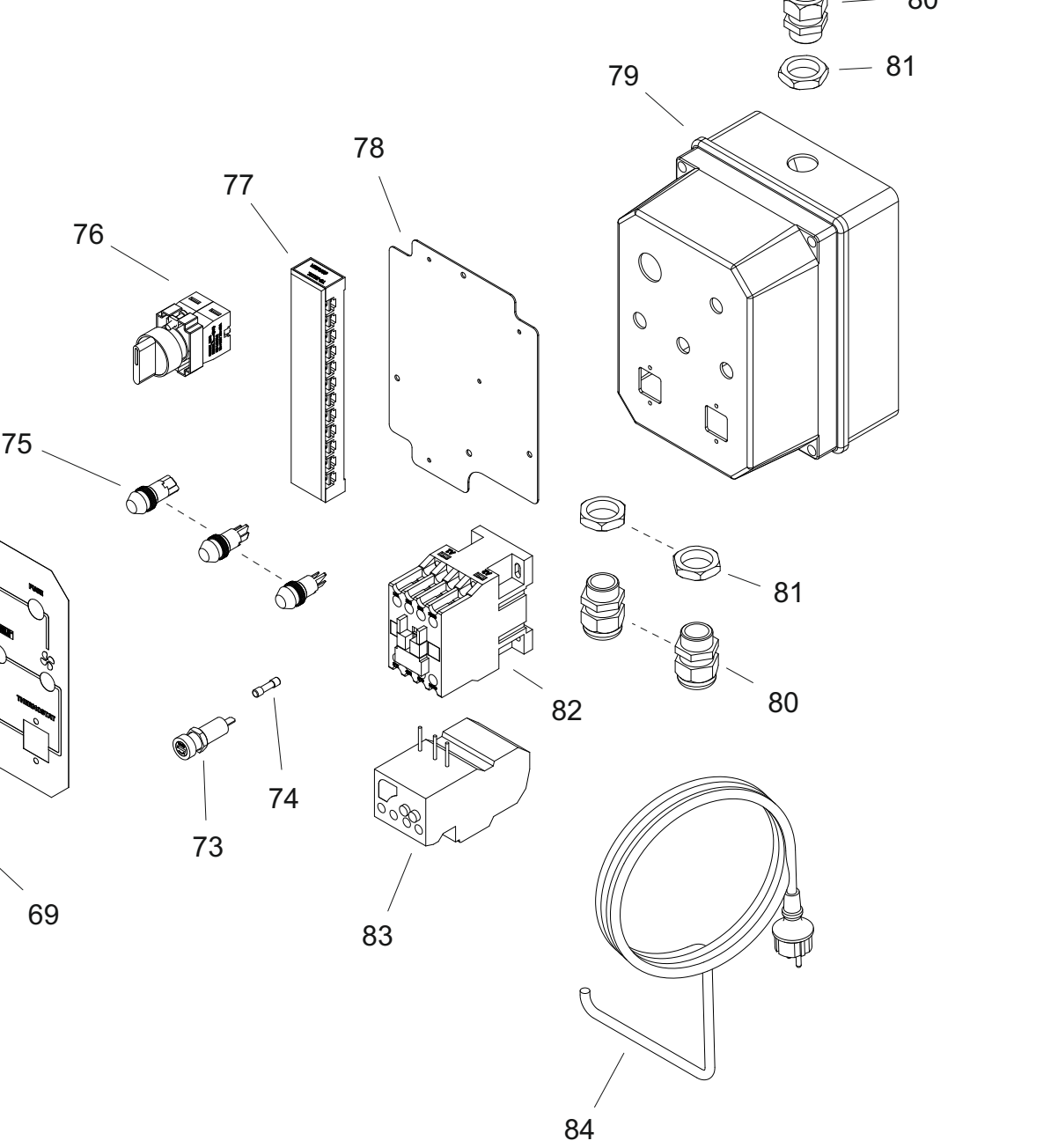
UNIT 2

ILLUSTRATED PARTS BREAKDOWN

THERMOSTAT BOX



CONTROL BOX



MODEL BV 310 FS

UNIT 2

PARTS LIST

Pos.	Code NR	Description	Rev. B - Sep. 2017
1	4514.317	BURNER	
2	4514.758	BURNER PLATE	
3	4514.626	INSULATION PLATE	
4	4514.751	WHEELS BRACKET	
5	4240.207	CONTROL PANEL COMPLETE	
6	4240.178	THERMOSTATS BOX	
7	4240.206	FRONTAL PANEL	
8	4031.120	PRE-HEATED FILTER	
9	4514.765	HANDLE	
10	4031.581	90° CONNECTION	
11	4517.785	FILTER BRACKET	
12	4514.766	BURNER PROTECTION	
13	4514.789	4 WAY OUTLET PANEL	
14	4514.745	AIR DEFLECTOR	
15	4514.764	LEFT PROTECTION	
16	4514.744	LATERAL INTERNAL PANEL	
17	4514.741	LATERAL EXTERNAL PANEL	
18	4514.757	TURBULIZER	
19	4514.627	COMBUSTION CHAMBER INSULATION PLATE	
20	4514.761.2	FUMES EXIT PANEL	
21	4514.761.1	COMBUSTION CHAMBER	
22	4514.801	EYEBOLT	
23	4240.203	UPPER HORIZONTAL LONG PROFILE	
24	4514.245	THREADED BLOCK	
25	4240.191	ANGULAR PROFILE	
26	4240.211	HORIZONTAL SHORT PROFILE	
27	4240.212	VERTICAL PROFILE	
28	4240.210	LOWER HORIZONTAL LEFT PROFILE	
29	4240.209	LOWER HORIZONTAL RIGHT PROFILE	
30	4514.711	THERMOSTATS BULB BRACKET	
31	4510.872	THERMOSTAT BULB CLIP	
32	4510.855	THERMOSTAT BULB CLAMP	
33	4514.753	INTERNAL BIG PANEL	
34	4514.752	EXTERNAL BIG PANEL	
35	4514.754	EXTERNAL SMALL PANEL	
36	4514.755	INTERNAL SMALL PANEL	
37	4514.742	EXTERNAL LOWER PANEL	
38	4514.746	REAR PANEL	
39	4514.748	CHIMNEY PANEL	
40	4240.115	FAN	
41	4240.116	MOTOR	
42	4240.121	MOTOR BRACKET	
43	4514.607	WIRE PROTECTION	
44	4514.760	GRILLE	
45	4034.230	NUT	
46	4034.229	STRAIN RELIEF	
47	4514.762	MOTOR-FAN PANEL	
48	4514.747	INTERNAL MOTOR-FAN PANEL	
49	4514.845	COTTER PIN	
50	4240.117	WHEEL	

MODEL BV 310 FS

UNIT 2

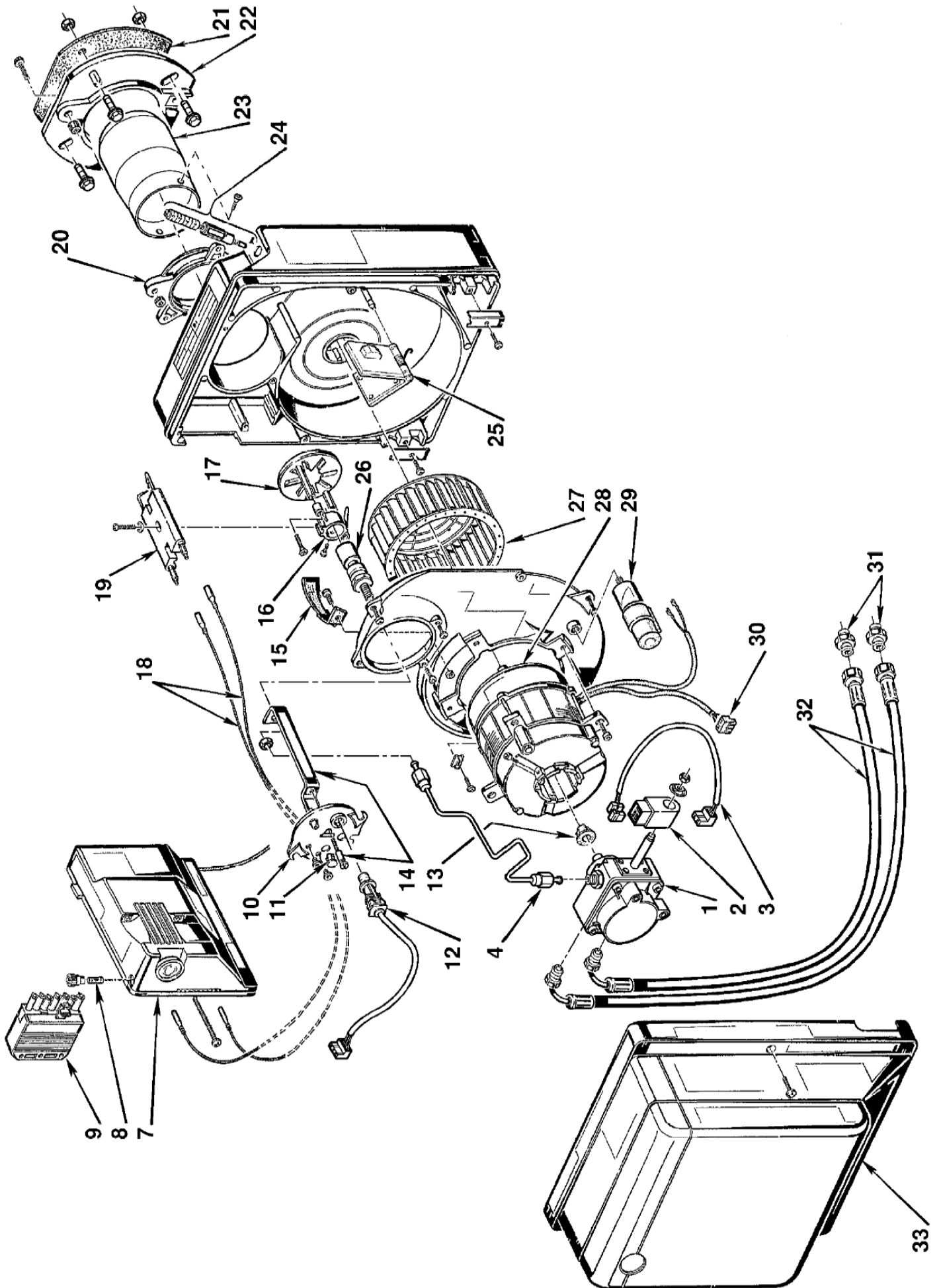
PARTS LIST

Pos.	Code NR	Description	Rev. B - Sep. 2017
51	4514.128	WHEELS AXLE BRACKET	
52	4240.120	WHEELS AXLE	
53	4514.750	FOOT	
54	4514.763	RIGHT PROTECTION	
55	4514.740	SUPPORTING BEAM	
56	4514.607	WIRE PROTECTION	
57	4240.205	INTERNAL FRONTAL PANEL	
58	4240.049	CAP	
59	4240.289	TSS THERMOSTAT	
60	4240.180	THERMOSTAT BRACKET	
61	4240.288	TV THERMOSTAT	
62	4240.290	AUTOMATIC RESET THERMOSTAT	
63	4240.177	THERMOSTAT BOX	
64	4101.151	CABLE PROTECTION	
65	4160.651	STRAIN RELIEF	
66	4240.275	ANGULAR MOBILE COVER	
67	4161.401	CONNECTION SOCKET	
68	4161.400	CONNECTION PLUG	
69	4514.611	THERMOSTAT SOCKET	
70	4240.187	CONTROL BOX LABEL	
71	4162.467	THERMOSTAT CAP	
73	4240.010	FUSE HOLDER	
74	4240.011	FUSE	
75	4117.058	WARNING LIGHT	
76	4240.009	SWITCH	
77	4240.016	TERMINAL BOARD	
78	4240.186	PLATE	
79	4240.183	CONTROL BOX	
80	4150.528	STRAIN RELIEF	
81	4100.656	LOCKNUT	
82	4240.138	CONTACTOR	
83	52* - .306	THERMAL RELAY	
84	5247.319	POWER CORD	

RG 2F / RG 3F / RG 4F

UNIT 1

ILLUSTRATED PARTS BREAKDOWN



Pos.	RG2 F	RG3 F	RG4 F	Description
1	4614.076	4614.027	4614.076	OIL PUMP
1.1	4614.025	4614.025	4614.025	NEEDLE VALVE
1.2	4614.028	4614.028	4614.028	OIL PUMP FILTER
2	4614.086	4614.086	4614.086	COIL
3	4614.022	4614.022	4614.022	LEAD
4	4614.117	4614.031	4614.031	TUBE
7	4614.010	4614.010	4614.010	CONTROL BOX 552SE
8	4614.018	4614.018	4614.018	FUSE
9	4614.001	4614.001	4614.001	7 PIN PLUG
10	4614.118	4614.011	4614.011	BURNER DISC
11	4614.032	4614.032	4614.032	VIEWING PORT
12	4614.029	4614.029	4614.029	PHOTOCELL
13	4614.021	4614.021	4614.021	JOINT
14	4614.119	4614.005	4614.005	BRACKET AND SCREW
15	4614.097	4614.030	4614.030	SUCTION DUCT
16	4614.013	4614.013	4614.013	DIFFUSER DISC SUPPORT
17	4614.120	4614.012	4614.012	DIFFUSER DISC
18	4614.020	4614.020	4614.020	HIGH VOLTAGE LEAD
19	4614.014	4614.014	4614.014	ELECTRODE ASSEMBLY
20	4614.121	4614.008	4614.008	COLLAR
21	4614.112	4614.019	4614.019	GASKET
22	4614.122	4614.016	4614.016	FLANGE
23	4614.123	4614.004	4614.077	BLAST TUBE
24	4614.124	4614.003	4614.078	AIR DAMPER REGULATOR
25	4614.125	4614.002	4614.002	AIR DAMPER
26	4614.026	4614.026	4614.026	NOZZLE HOLDER
27	4614.090	4614.015	4614.015	FAN
28	4614.126	4614.023	4614.023	MOTOR
29	4614.127	4614.006	4614.006	CAPACITOR 6,3 µF
30	4614.024	4614.024	4614.024	MOTOR SOCKET
31	4614.009	4614.009	4614.009	CONNECTOR
32	4614.017	4614.017	4614.017	FLEXIBLE OIL LINE
33	S/R	S/R	S/R	COVER
not shown	4031.081	-	-	NOZZLE 1.50, 60° S
not shown	-	4515.917	-	NOZZLE 2.50, 60° B
not shown	-	-	4515.916	NOZZLE 4.50, 60° B
	4514.317	-	-	COMPLETE OIL BURNER RG2 F
	-	4514.302	-	COMPLETE OIL BURNER RG3 F
	-	-	4514.304	COMPLETE OIL BURNER RG4 F

S/R = Parts available on special request only