

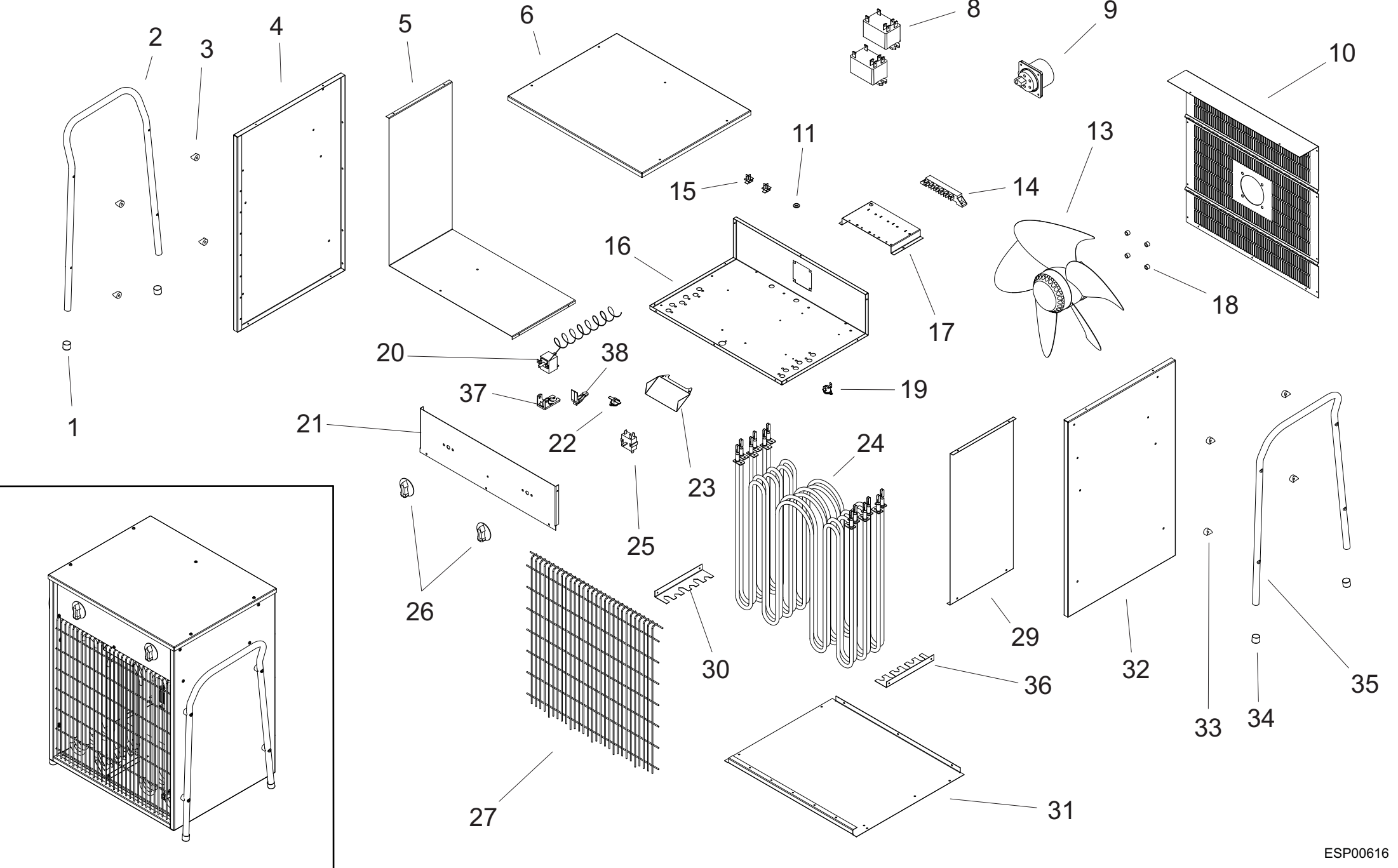
MODEL B 22 IT

UNIT 1

ILLUSTRATED PARTS BREAKDOWN

From Serial Number: 08C43012630

Rev. - - Sep. 2022



MODEL B 22IT

UNIT 2

PARTS LIST

Pos.	Code N°	Description
1	4510.623	HANDLE CAP
2	4510.170	HANDLE
3	4510.603	HANDLE SPACER
4	4511.255	RIGHT PANEL
5	4511.257	THERMAL L SHIELD
6	4511.260	UPPER PANEL
8	4034.225	RELAY BOARD
9	4160.103	PANEL PLUG 5P
10	4511.261	REAR PANEL
11	4511.621	WIRE PROTECTION
13	4510.322	FAN
14	4510.414	TERMINAL BOX
15	4510.609	CLIP
16	4210.416	BASE
17	4511.271	RELAY BRACKET
18	4510.628	MOTOR SPACER
19	4510.404	TEMPERATURE SENSOR
20	4510.416	THERMOSTAT
21	4210.463	FRONTAL PANEL
22	4510.435	SAFETY THERMOSTAT
23	4210.419	TEMPERATURE PROTECTION BRACKET
24	4510.375	RESISTANCE
25	4510.401	SELECTOR
26	4165.007	REGULATION HANDLE
27	4511.273	FRONTAL GRILL
29	4511.258	THERMAL SHIELD
30	4035.353	RESISTANCES SUPPORT
31	4511.259	LOWER PANEL
32	4511.256	LEFT PANEL
33	4510.603	HANDLE SPACER
34	4510.623	HANDLE CAP
35	4510.170	HANDLE
36	4035.353	RESISTANCES SUPPORT
37	4510.611	RESET BASE
38	4510.612	RESET LEVER