

MASTER ELECTRIC HEATERS B 22 EPB 22kW

Pos.	Description	Code	Qty.
1	RIGHT PANEL	S/R	1
2	LEFT PANEL	S/R	1
3	NAME PLATE PANEL	S/R	1
4	BOUNDARY LAYER	S/R	1
5	TOP PANEL	S/R	1
6	DOWN PANEL	S/R	1
7	PIPE HANDLE	4510.170	2
8	GRILLE 22 EPB	4511.273	1
9	CONTACTOR FASTENING	S/R	1
10	HEATING ELEMENT 3666W	4510.375	6
11	BACK PANEL	S/R	1
12	HEAT SHIELD	S/R	1
13	SHELF	S/R	1
14	STABLE ELEMENT	4511.251	1
15	KNOB 44mm	4510.610	2
16	HEAT SHIELD TYPE "L"	S/R	1
17	CAPILLARY THERMOSTAT 16A/250V 0-40oC	4510.416	1
18	AXIAL FAN MOTOR 70W/230V	4510.322	1
19	ROTARY SWITCH 16A/400V	4510.401	1
20	SCREW TEWRMINAL BLOCK 6x40A/450V	4510.414	1
21	RELAY 25A/250V RELPOL	4510.451	2
22	PIPE CAP	4510.623	4
23	DISTANCE 6,2X10X7	4510.627	4
24	PLASTIC DISTANCE 15mm	4510.603	8
25	OVERHEAT SENSOR 16A/250V 60oC/NO	4510.404	1
26	OVERHEAT THERMOSTAT 16A/250V 80oC	4510.449	1
27	PLUG PANEL MOUNTED 32A/400V 3P+N+E (56)	4510.411	1
28	TAPPING SCREW ST4.8X13	4510.821	16
29	SCREW M4x30	4510.848	8
30	HEXAGON NUT M4	4510.808	11
31	SCREW M4X20	4510.804	1
32	SCREW M4X8	4510.814	2
33	PLAIN WASHER M4	4510.849	8
34	SHEET-METAL SCREW ST3,9X9,5	4510.841	2
35	CROSS RECESSED PAN HEAD TAPPING SCREW ST3,5X9,5	4510.847	56
36	SPRING LOCK WASHERS A6	4510.831	4
37	SPRING WASHER M8	4513.809	1
38	SPRING LOCK WASHERS A4	4510.810	11
39	HEXAGON NUT M8	4513.806	1
40	BELT 6/3 110	4510.608	10
41	METRIC BOLT M6x20	4514.805	4
42	SEAL WIRE 14.2x8x11x1,6x4.8mm	4511.621	1

S/R = Parts Available On Special Request Only

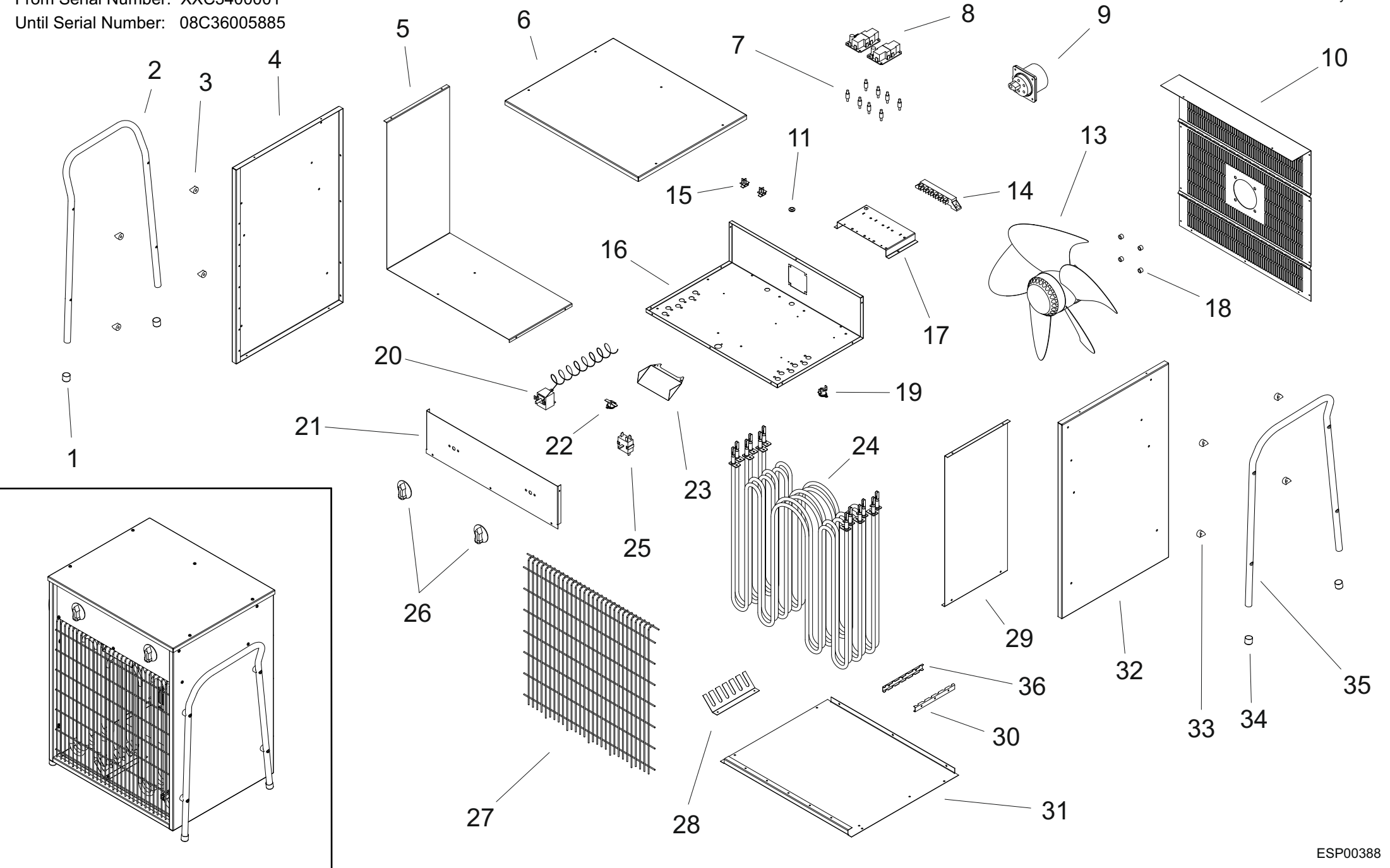
MODEL B 22 EPB

UNIT 1

ILLUSTRATED PARTS BREAKDOWN

From Serial Number: XXC3400001
Until Serial Number: 08C36005885

Rev. - May 2015



MODEL B 22EPB

UNIT 2

PARTS LIST

Pos.	Code N°	Description	Rev. - - June 2015
1	4510.623	HANDLE CAP	
2	4510.170	HANDLE	
3	4510.603	HANDLE SPACER	
4	4511.255	RIGHT PANEL	
5	4511.257	THERMAL L SHIELD	
6	4511.260	UPPER PANEL	
7	4517.613	BOARD SPACER	
8	4510.471	RELAY BOARD	
9	4160.103	PANEL PLUG 5P	
10	4511.261	REAR PANEL	
11	4511.621	WIRE PROTECTION	
13	4510.322	FAN	
14	4510.414	TERMINAL BOX	
15	4510.609	CLIP	
16	4511.263	BASE	
17	4511.271	RELAY BRACKET	
18	4510.628	MOTOR SPACER	
19	4510.404	TEMPERATURE SENSOR	
20	4510.416	THERMOSTAT	
21	4511.253	FRONTAL PANEL	
22	4510.449	SAFETY THERMOSTAT	
23	4511.220	TEMPERATURE PROTECTION BRACKET	
24	4510.375	RESISTANCE	
25	4510.401	SELECTOR	
26	4165.007	REGULATION HANDLE	
27	4511.273	FRONTAL GRILL	
28	4511.251	RESISTANCE BRACKET	
29	4511.258	THERMAL SHIELD	
30	4511.245	RESISTANCE LEFT SUPPORT	
31	4511.259	LOWER PANEL	
32	4511.256	LEFT PANEL	
33	4510.603	HANDLE SPACER	
34	4510.623	HANDLE CAP	
35	4510.170	HANDLE	
36	4511.214	RESISTANCE RIGHT SUPPORT	

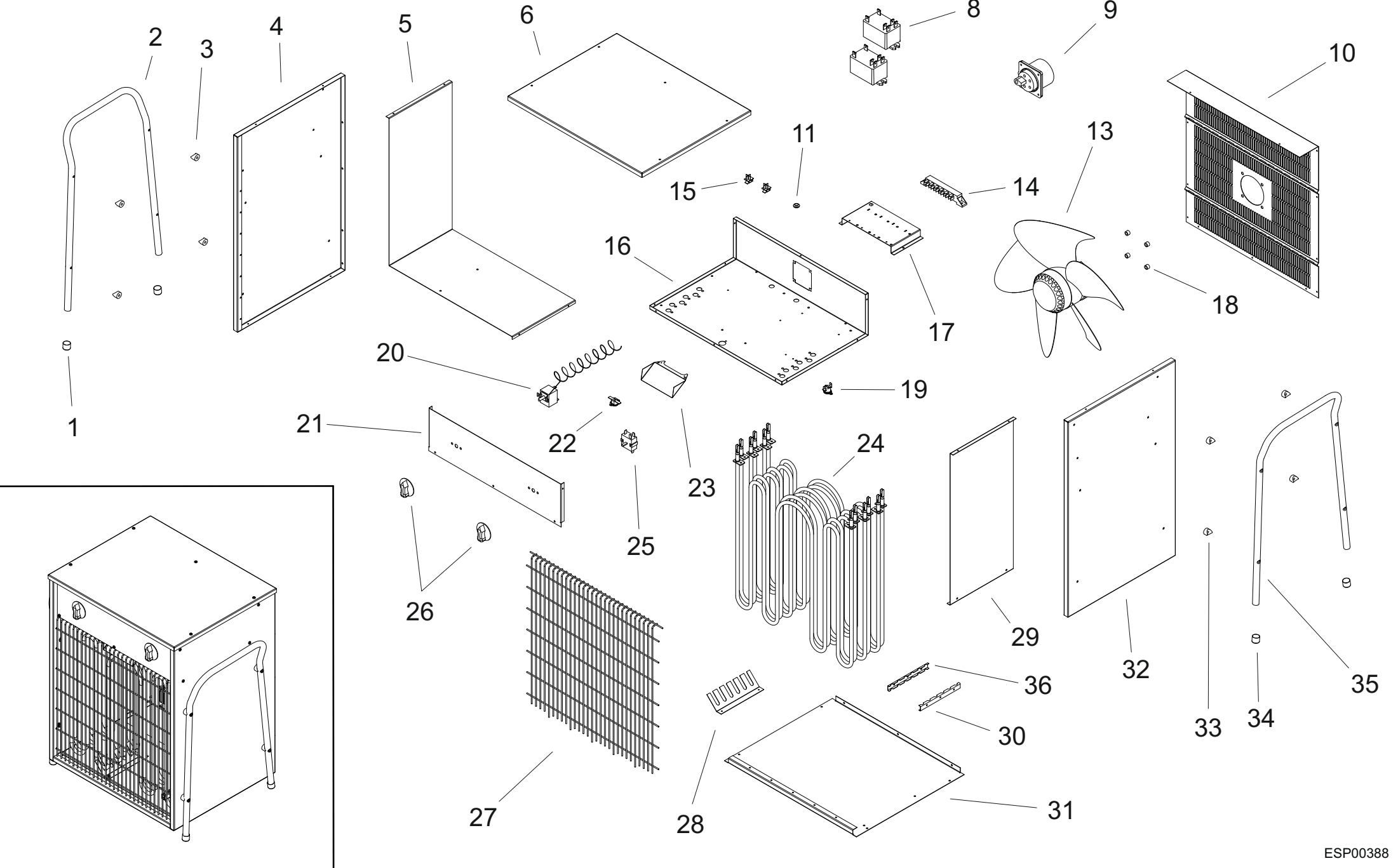
MODEL B 22 EPB

UNIT 1

ILLUSTRATED PARTS BREAKDOWN

From Serial Number: 08C36005885

Rev.A - Nov. 2016



MODEL B 22EPB

UNIT 2

PARTS LIST

Pos.	Code N°	Description	Rev.A - Nov. 2016
1	4510.623	HANDLE CAP	
2	4510.170	HANDLE	
3	4510.603	HANDLE SPACER	
4	4511.255	RIGHT PANEL	
5	4511.257	THERMAL L SHIELD	
6	4511.260	UPPER PANEL	
8	4034.225	RELAY BOARD	
9	4160.103	PANEL PLUG 5P	
10	4511.261	REAR PANEL	
11	4511.621	WIRE PROTECTION	
13	4510.322	FAN	
14	4510.414	TERMINAL BOX	
15	4510.609	CLIP	
16	4511.263	BASE	
17	4511.271	RELAY BRACKET	
18	4510.628	MOTOR SPACER	
19	4510.404	TEMPERATURE SENSOR	
20	4510.416	THERMOSTAT	
21	4511.253	FRONTAL PANEL	
22	4510.449	SAFETY THERMOSTAT	
23	4511.220	TEMPERATURE PROTECTION BRACKET	
24	4510.375	RESISTANCE	
25	4510.401	SELECTOR	
26	4165.007	REGULATION HANDLE	
27	4511.273	FRONTAL GRILL	
28	4511.251	RESISTANCE BRACKET	
29	4511.258	THERMAL SHIELD	
30	4511.245	RESISTANCE LEFT SUPPORT	
31	4511.259	LOWER PANEL	
32	4511.256	LEFT PANEL	
33	4510.603	HANDLE SPACER	
34	4510.623	HANDLE CAP	
35	4510.170	HANDLE	
36	4511.214	RESISTANCE RIGHT SUPPORT	